



ITEM #0396775

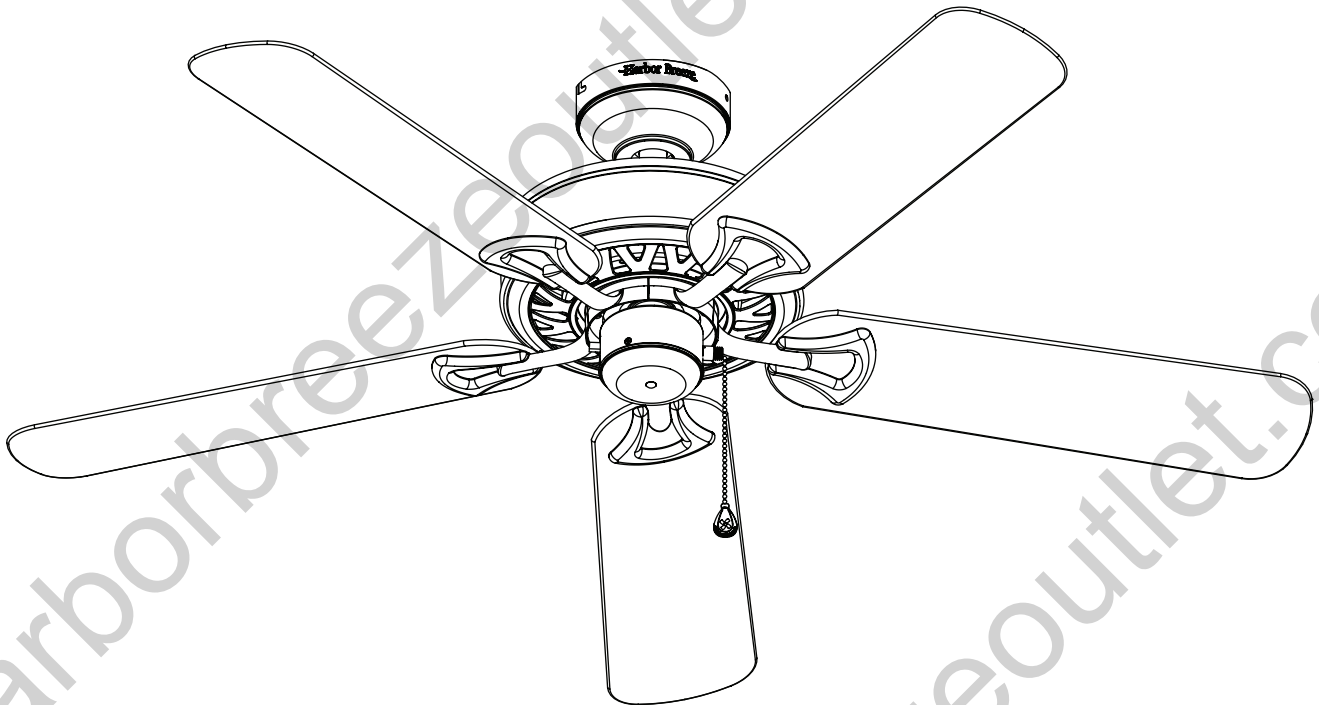
CALERA CEILING FAN

Harbor Breeze® is a registered trademark of LF, LLC. All Rights Reserved.

MODEL #00830

UL MODEL #42-CLA

Español p. 15



ATTACH YOUR RECEIPT HERE

Serial Number _____ Purchase Date _____



Questions, problems, missing parts? Before returning to your retailer, call our customer service department at 1-800-643-0067, 8 a.m. - 6 p.m., EST, Monday - Thursday, 8 a.m. - 5 p.m., EST, Friday.

EB15422

Lowes.com/harborbreeze



TABLE OF CONTENTS

Safety Information.....	3
Package Contents.....	4
Hardware Contents.....	5
Preparation.....	5
Initial Installation.....	6
Downrod Style Fan Mounting.....	7
Closemount Style Fan Mounting.....	8
Wiring.....	10
Final Installation.....	10
Operation Instructions.....	13
Care and Maintenance.....	13
Troubleshooting.....	13
Warranty.....	14
Replacement Parts List	14

SAFETY INFORMATION

READ AND SAVE THESE INSTRUCTIONS

Please read and understand this entire manual before attempting to assemble, operate or install the product.

- When using an existing outlet box, be sure the box is securely attached to the building structure and can support the full weight of the fan, so as to avoid potential serious injury or death.
- All wiring must be in accordance with the National Electrical Code “ANSI/NFPA 70-1999” and local electrical codes. Electrical installation should be performed by a qualified licensed electrician.
- Electrical diagrams are for reference only.
- Suitable for use in wet locations when installed in a GFCI protected branch circuit.
- The net weight of this fan is: 13.42 lbs.

WARNING



ELECTRIC SHOCK HAZARD

To reduce the risk of electric shock, do not use this fan with any solid-state speed control device.

WARNING



ELECTRIC SHOCK HAZARD

To reduce the risk of electric shock, make sure electricity has been turned off at the circuit breaker or fuse box before beginning installation.

WARNING



PERSONAL INJURY HAZARD

Reduce the risk of personal injury, do not bend the blade brackets when installing the brackets, balancing the blades, or cleaning the fan. Do not insert foreign objects in between rotating fan blades.

WARNING



FIRE, ELECTRICAL SHOCK OR PERSONAL INJURY HAZARD

To reduce the risk of fire, electric shock, or personal injury, mount to outlet box marked “ACCEPTABLE FOR FAN SUPPORT OF 35 LBS OR LESS” and use mounting screws provided with the outlet box. Most outlet boxes commonly used for the support of lighting fixtures are not acceptable for fan support and may need to be replaced. Consult a qualified electrician if in doubt.

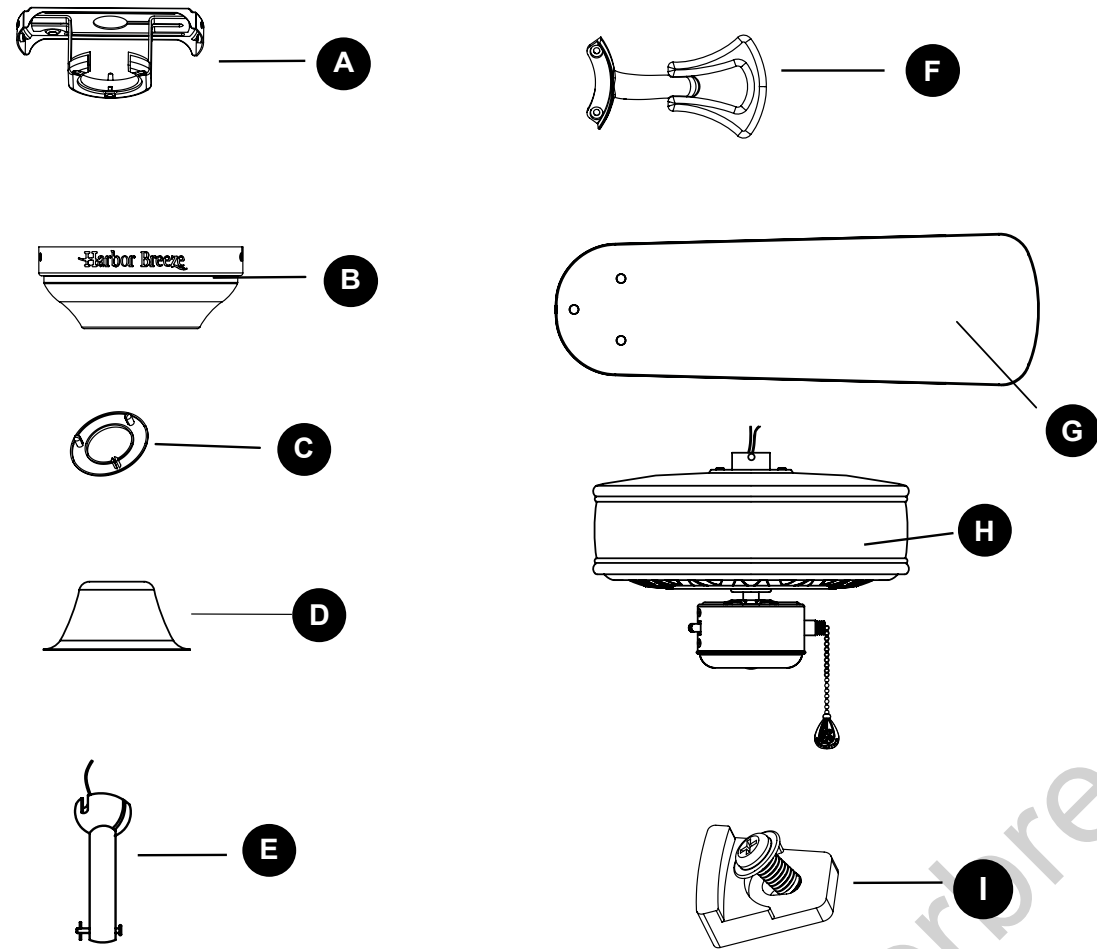
CAUTION

PERSONAL INJURY HAZARD

To reduce the risk of injury to persons, install fan so that the blade is at least 7 ft. above the floor.

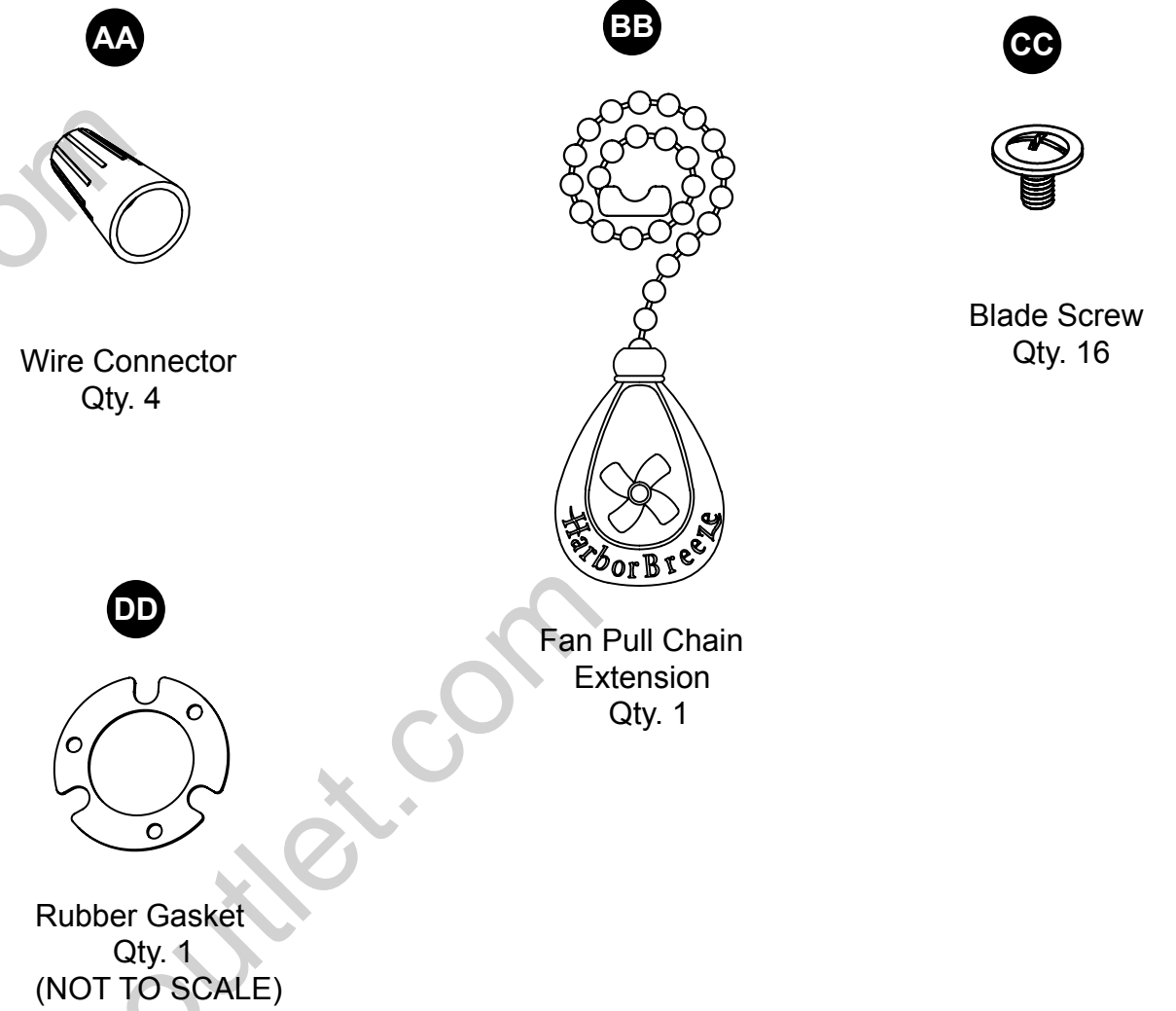


PACKAGE CONTENTS



PART	DESCRIPTION	QUANTITY
A	Mounting Bracket (preassembled to canopy (B))	1
B	Canopy	1
C	Canopy Cover (preassembled to canopy (B))	1
D	Yoke Cover	1
E	Downrod Assembly	1
F	Blade Bracket	5
G	Blade	5
H	Motor Housing	1
I	Mounting Screw (preassembled to motor housing (H))	3

HARDWARE CONTENTS (shown actual size)



PREPARATION

Before beginning assembly of product, make sure all parts are present. Compare parts with package contents list and hardware contents. If any part is missing or damaged, do not attempt to assemble the product.

Estimated Assembly Time: 20 minutes

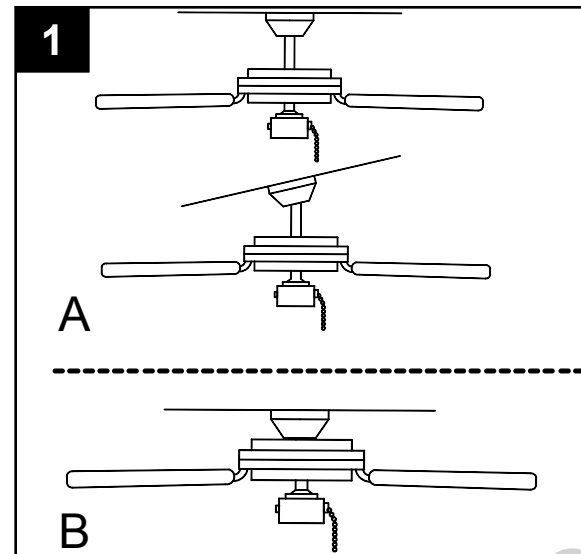
Tools Required for Assembly (not included): Phillips screwdriver, step ladder, electrical tape, pliers, wire cutter, wire stripper.



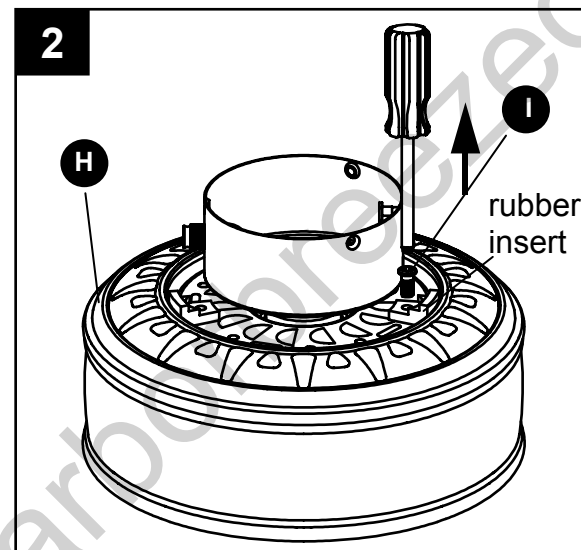
INITIAL INSTALLATION

- Determine mounting method to use.
A - Downrod Mount (normal or angled ceiling)
B - Closemount (normal ceiling only)

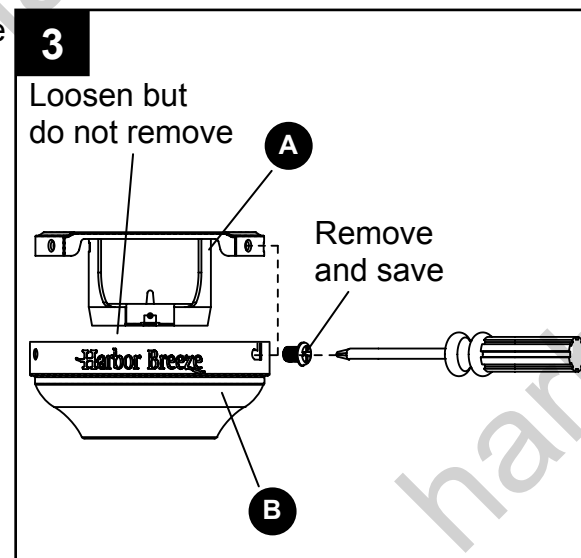
Important: If using the angle mount, check to make sure the ceiling angle is not steeper than 20°.



- Remove and discard the three rubber inserts and three mounting screws (I) from the underside of the motor housing assembly (H).



- Remove the mounting bracket (A) from the canopy (B) by loosening the four screws on the top of the canopy (B). Remove the two non-slotted screws and save, then loosen the slotted screws. This will enable you to remove the mounting bracket (A).

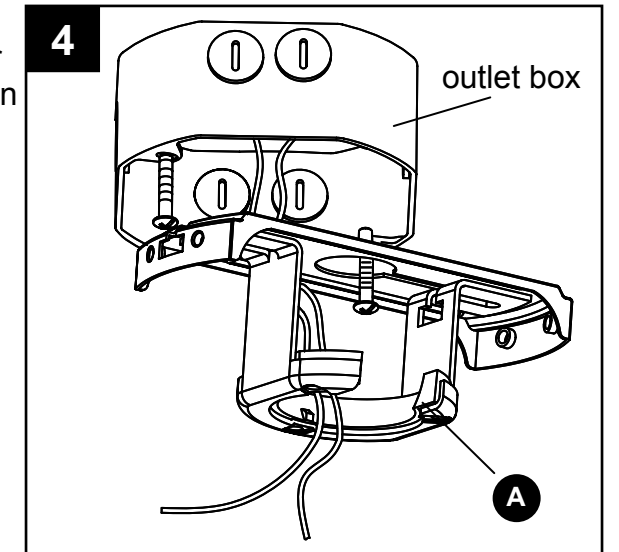


INITIAL INSTALLATION

- Install the mounting bracket (A) to the outlet box (not included), sliding the mounting bracket (A) over the two outlet box screws (not included). Securely tighten the two outlet box screws.

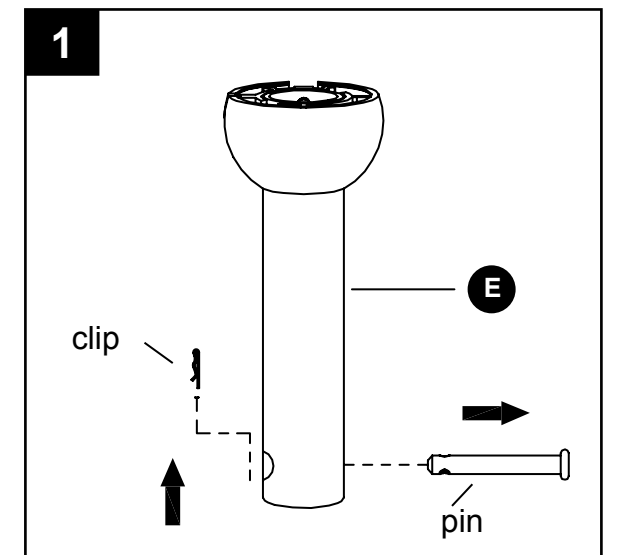
IMPORTANT: If using the angle mount, make sure open end of mounting bracket (A) is installed facing the ceiling.

Follow mounting instructions for “Downrod Style Fan Mounting” or “Closemount Style Fan Mounting” depending on mounting method (A or B) chosen in Step 1 on previous page.

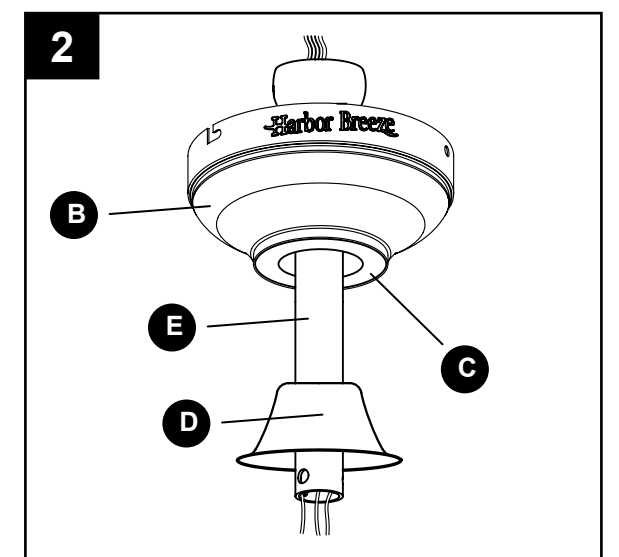


DOWNROD STYLE FAN MOUNTING

- Remove pin and clip from downrod assembly (E) and save.

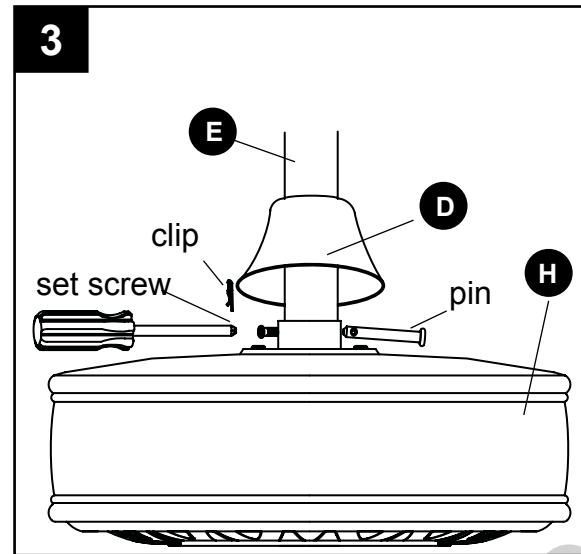


- Insert downrod assembly (E) through canopy (B), canopy cover (C) and yoke cover (D). Thread wires from the motor housing assembly (H) through downrod (E).



DOWNROD STYLE FAN MOUNTING

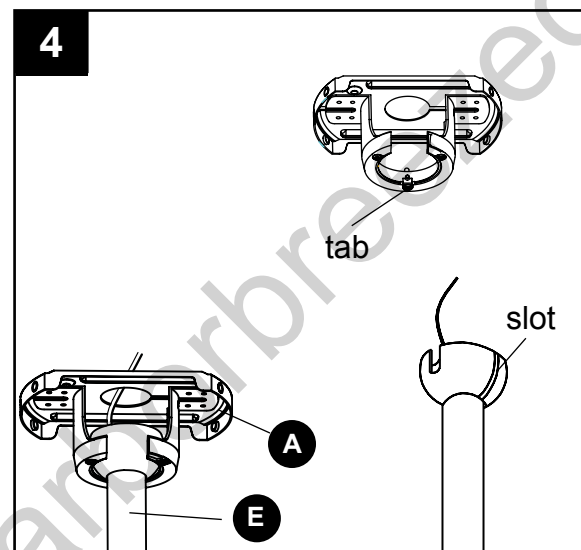
- Loosen the two set screws from the yoke. Slip downrod assembly (E) into yoke, aligning holes in downrod assembly (E) and yoke. Insert the pin through yoke and downrod assembly (E). Insert clip into pin until it snaps into place. Tighten set screws. Slide the yoke cover (D) down over the motor housing (H).



- Install hanger ball on the top of downrod (E) into mounting bracket (A) opening. Rotate fan until slot on hanger ball engages the tab on the mounting bracket (A).

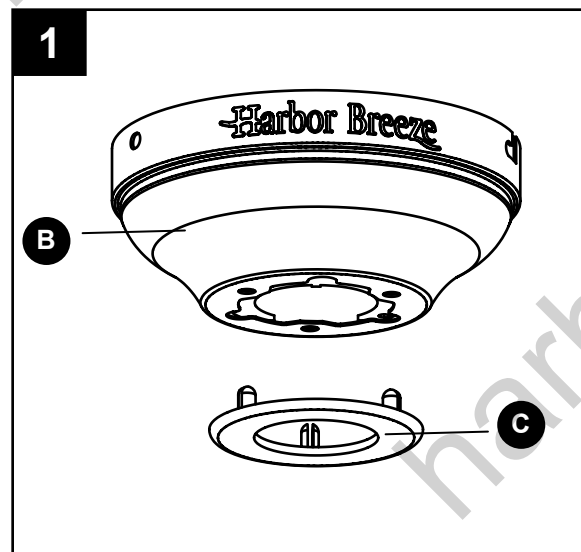
Warning: Be carefully when aligning the tab to the slot! If not fully engaged, there is a possibility of fan falling, which may result in serious injury or death.

You may now proceed to the **WIRING** section on page 10.



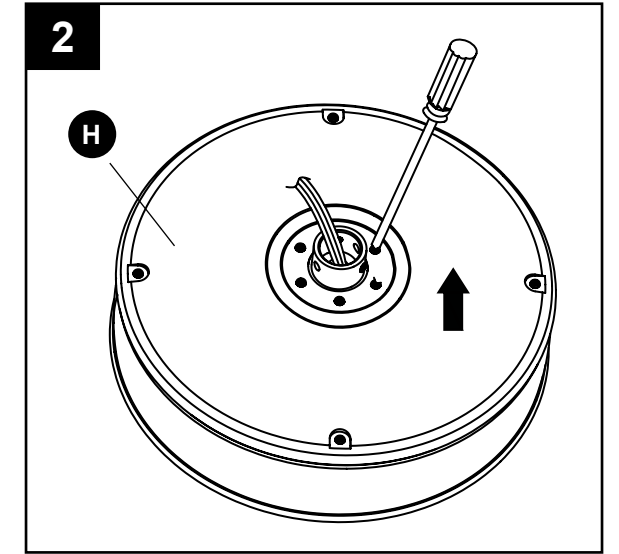
CLOSEMOUNT STYLE FAN MOUNTING

- Remove the canopy cover (C) from the bottom of the canopy (B).



CLOSEMOUNT STYLE FAN MOUNTING

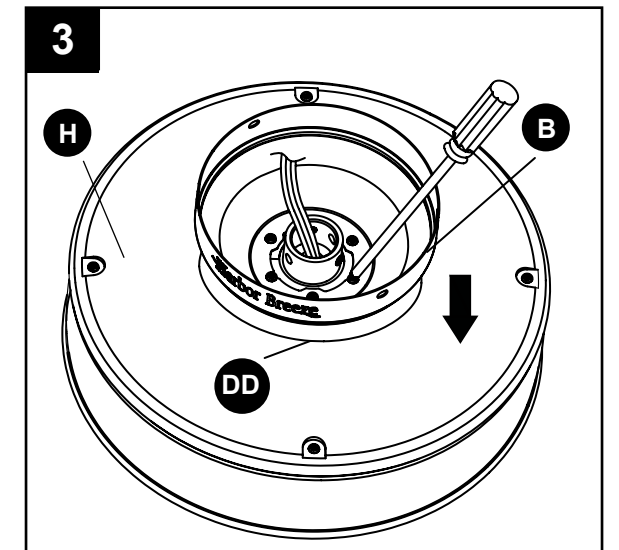
- Remove every other screw from the top of motor housing (H) and save.



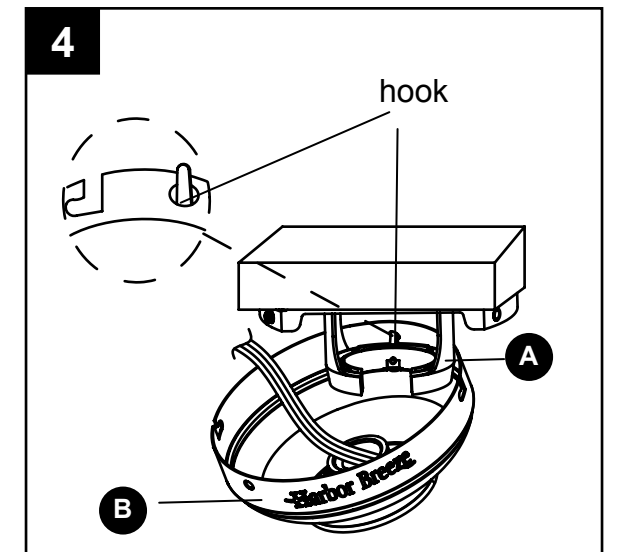
- Place the rubber gasket (DD) over the remaining screws. Pull wires through hole in canopy (B), and attach canopy (B) to motor housing (H). Align the mounting holes with the holes in the motor and fasten using the three screws removed in previous step. Tighten the screws securely.

Hardware Used

DD Rubber gasket  x 1

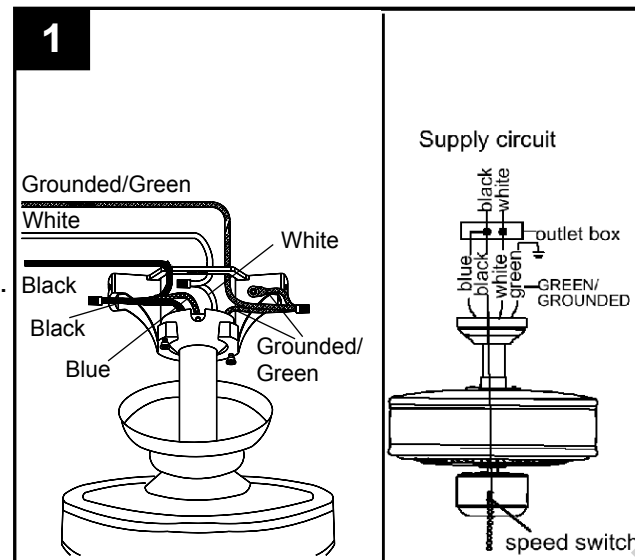


- Hang the fan on the hook on the mounting bracket (A) using one of the non-slotted holes in the canopy (B).



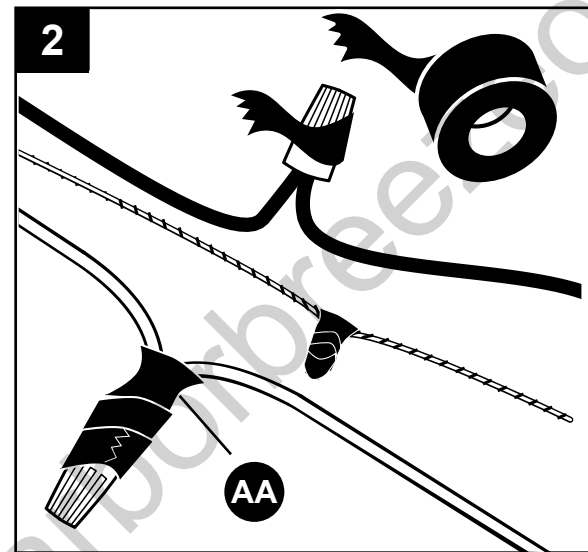
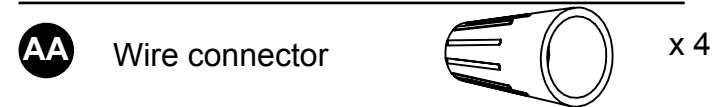
WIRING

1. Connect the **BLACK** and **BLUE** wires from fan to the house **BLACK** wire. Connect the **WHITE** wire from fan to the house **WHITE** wire. Connect all **GROUNDING (GREEN)** wires together from fan to the house **GREEN/GROUNDED** wire.
Note: Black wire is hot power for fan. Blue wire is hot power for light kit in case of future light kit installation. White wire is common for fan and light kit. Green wire is grounded wire. If house wires are different colors than referred to above, stop immediately. It is recommended a professional electrician to determine proper wiring.



2. To connect wires, twist wire ends together and screw wire with wire connectors (AA) on in a clockwise direction. Tape the wire connectors (AA) and wires together. The wires should be spread apart with the grounded conductor and the equipment-grounding conductor on one side of the outlet box and the ungrounded conductor on the other side of the outlet box. Be sure no bare wire or wire strands are visible after making connection. Place green and white connections on opposite side of box from the black and blue connections. The splices should be turned upward and pushed carefully up into the outlet box.

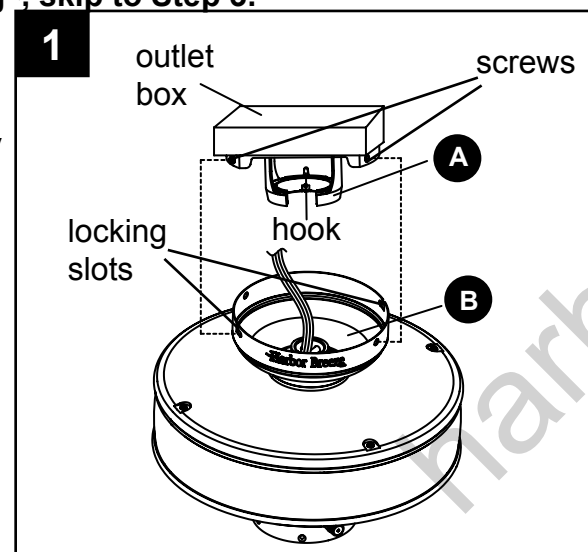
Hardware Used



FINAL INSTALLATION

If you installed the fan with "Closemount Style Fan Mounting", continue to Steps 1 and 2. If you installed the fan with "Downrod Style Fan Mounting", skip to Step 3.

1. Remove the fan from the hook on the mounting bracket (A). Align the locking slots of the canopy (B) with the two screws in the mounting bracket (A). Push up to engage the slots and turn clockwise to lock in place. Immediately tighten the two screws firmly.



FINAL INSTALLATION

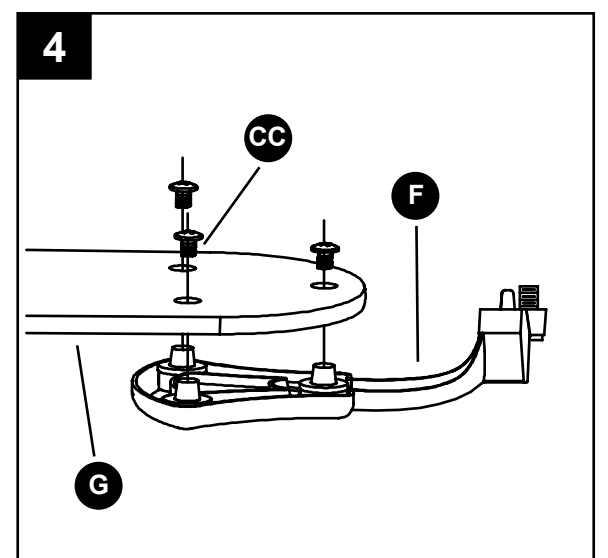
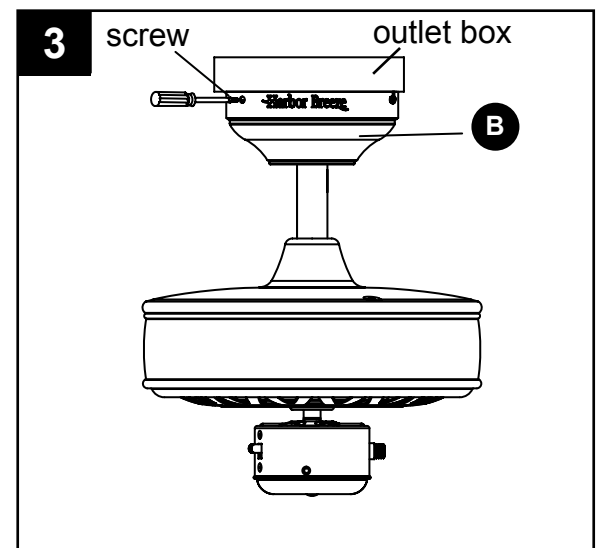
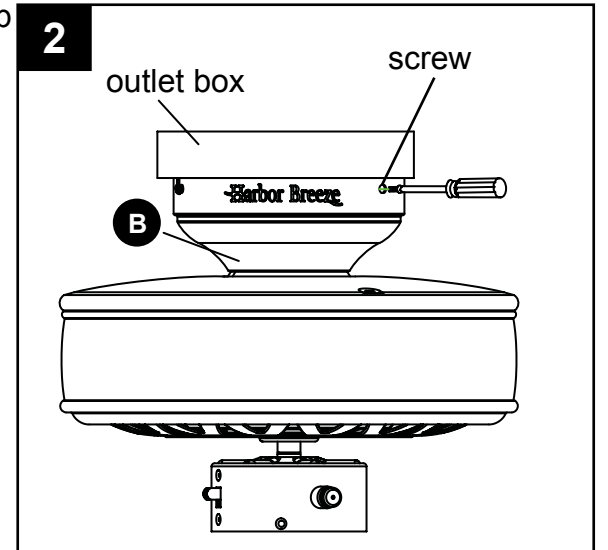
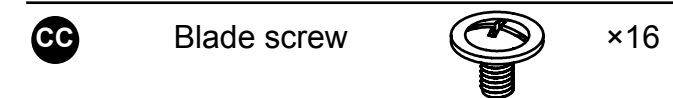
2. Install the two screws that were removed in previous step and tighten securely.

You may now proceed to the Step 4.

3. Directly align the locking slots of the canopy (B) with the two screws in the mounting bracket (A). Push up to engage the slots and turn clockwise to lock in place. Immediately tighten the two screws firmly. Install the two screws that were removed in previous step and tighten securely.

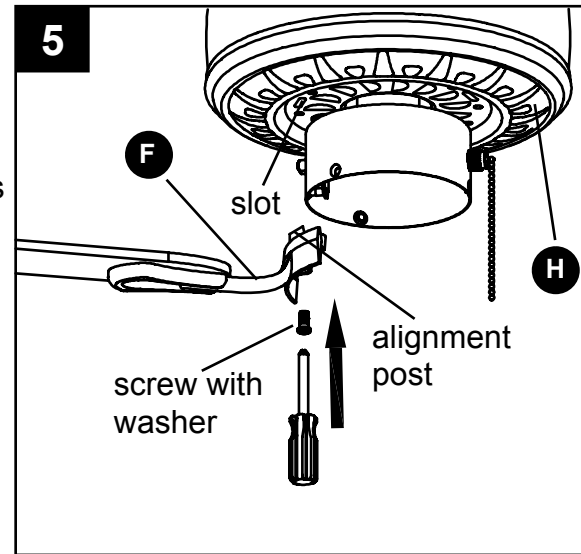
4. Attach a blade (G) to a blade bracket (F) using the blade screw (CC).

Hardware Used



FINAL INSTALLATION

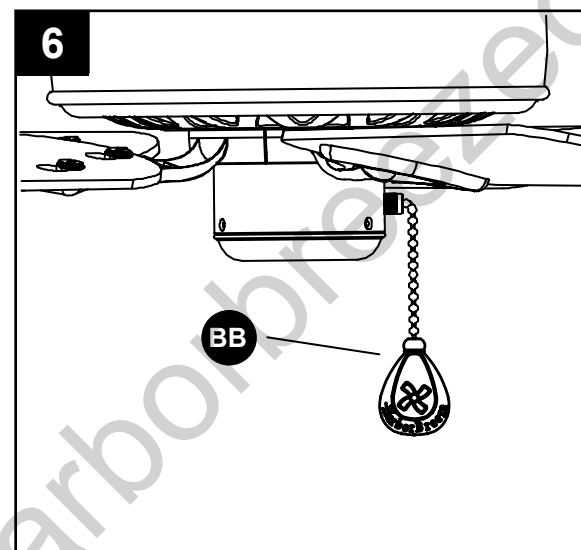
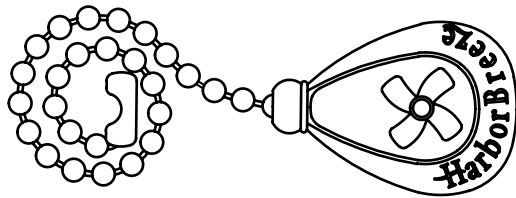
5. Fasten the blade bracket (F) to the motor by inserting the alignment post into the slot on the bottom of the motor housing (H) and tightening the blade bracket screws with washers. Please note that the blade bracket screws with washers are pre-installed into the blade bracket (F). Repeat Steps 4 and 5 for the remaining blade brackets (F).



6. Attach the fan pull chain extension (BB).

Hardware Used

- BB** Fan pull chain extension x 1



OPERATING INSTRUCTIONS

PULL CHAIN: The fan pull chain is for motor speed control: High, Medium, Low and Off. Pull the chain once for each position.

REVERSE SWITCH:

When the season changes, you may want to change to the direction your fan spins. To switch between clockwise and counterclockwise rotation, flip the fan reversal switch. Note: Wait for fan to stop before reversing the switch.

- In cooler weather, clockwise rotation creates an upward air flow, which moves hot air from the ceiling into the room. Push the switch UP.
- In warmer weather, counterclockwise rotation creates a downward air flow, which cools the air. Push the switch DOWN.

CARE AND MAINTENANCE

- To reduce the risk of fire, electric shock or injury to persons, maintain this fan.
- Important:** Shut off main power supply before beginning any maintenance.
- Do not use water or detergents when cleaning the fan or fan blades. A dry dust cloth or lightly dampened cloth will be suitable for most cleaning.
- Clean fan housing with only a soft brush or lint-free cloth to avoid scratching the finish. Clean blades with a lint-free cloth. You may occasionally apply a light coat of furniture polish to blades for added protection.
- At least twice each year, tighten all screws and lower canopy to check mounting bracket screws and downrod assembly.

TROUBLESHOOTING

PROBLEM	POSSIBLE CAUSE	CORRECTIVE ACTION
Fan does not move.	1. Chain switch is "off". 2. Faulty wire connection. 3. Reverse switch not engaged.	1. Pull chain switch. 2. Turn power off. Loosen canopy, check all connections. 3. Push switch firmly either way.
Noisy operation.	1. Blades are loose. 2. Cracked blade. 3. Unapproved speed control.	1. Tighten all blade screws. 2. Replace blades (call customer service). 3. Replace with an approved speed control device.
Excessive wobbling.	1. Blades are loose. 2. Blade brackets incorrectly attached. 3. Unbalanced blades. 4. Fan not securely mounted. 5. Fan too close to vaulted ceiling.	1. Tighten all blade screws. 2. Reinstall blade brackets. 3. Switch with blade from opposite side. 4. Turn power off. Carefully loosen canopy; remount securely. 5. Lower fan or move it to another location.

WARRANTY

The manufacturer warrants this fan to be free from defects in workmanship and material present at time of shipment from the factory for lifetime limited from the date of purchase. This warranty applies only to the original purchaser. The manufacturer agrees to correct such defect at no charge or at our option replace the ceiling fan with a comparable or superior model.

To obtain warranty service, present a copy of your sales receipt as proof of purchase. All cost of removal and reinstallation are the expressed responsibility of the purchaser. Any damage to the ceiling fan by accident, misuse or improper installation, or by affixing accessories not produced by the manufacturer of the fan, are at the purchaser's own responsibility. The manufacturer assumes no responsibility whatsoever for fan installation during the lifetime limited warranty. Any service performed by an unauthorized person will render the warranty invalid.

Due to varying climate conditions, this warranty does not cover changes in brass finish, rusting, pitting, tarnishing, corroding or peeling. Brass finish fans maintain their beauty when protected from varying weather conditions. Any glass provided with this fan is not covered by the warranty.

Any replacement of defective parts for the ceiling fan must be reported within the first year from the date of purchase. For the balance of the warranty, call our customer service department at 1-800-643-0067 for return authorization and shipping instructions so that we may repair or replace the ceiling fan. Any fan or parts returned improperly packaged is the sole responsibility of the purchaser. There is no further expressed warranty. The manufacturer disclaims any and all implied warranties.

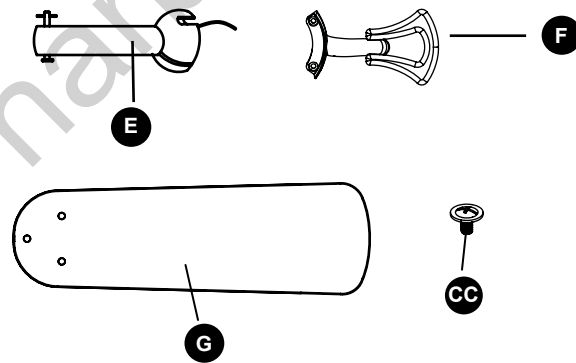
The duration of any implied warranty which can not be disclaimed is limited to the lifetime limited period as specified in our warranty. The manufacturer shall not be liable for incidental, consequential or special damages arising at or in connection with product use or performance except as may otherwise be accorded by law. This warranty gives you specific legal rights and you also have other rights which vary from state to state. This warranty supersedes all prior warranties.

Note: A small amount of "wobble" is normal and should not be considered a defect.

REPLACEMENT PARTS LIST

For replacement parts, call our customer service department at 1-800-643-0067, 8 a.m. - 6 p.m., EST, Monday - Thursday, 8 a.m. - 5 p.m., EST, Friday.

PART	DESCRIPTION	PART#
E	Downrod assembly	102200-0168
F	Blade bracket	104000-0293
G	Blade	108003-3038
CC	Blade screw	990501-5161



Printed in China

Harbor Breeze® is a registered trademark of LF, LLC. All rights reserved.



Lowes.com/harborbreeze