



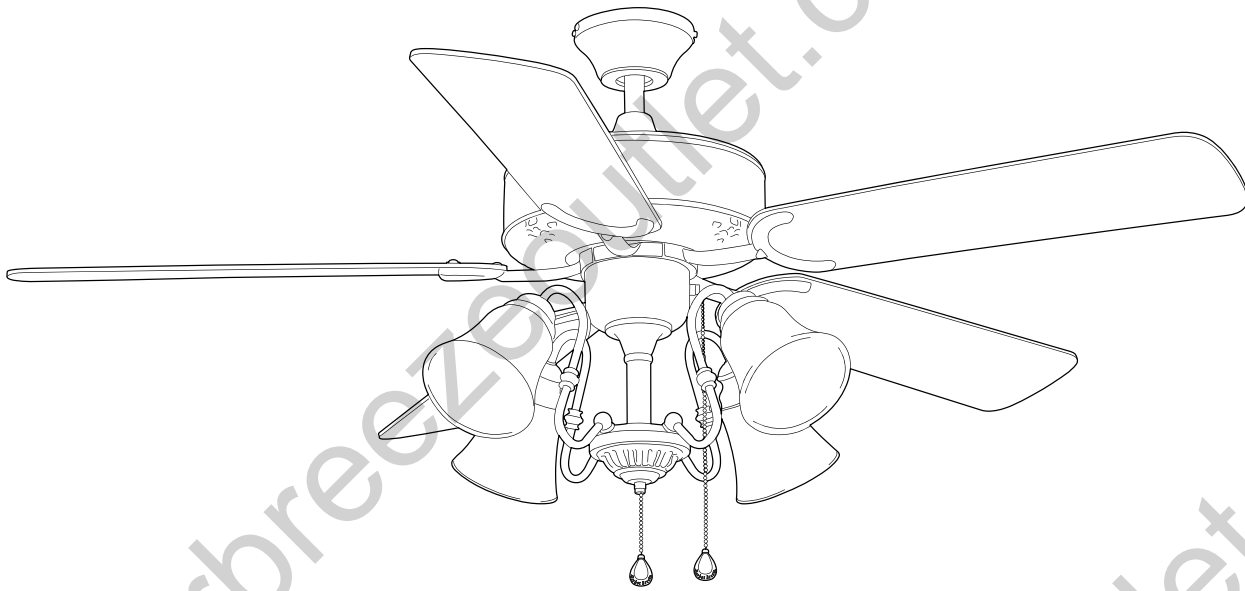
ITEM #0125519

DUBOIS CEILING FAN

MODEL #DM52BCP5CS

Harbor Breeze® is a registered trademark of LF, LLC. All Rights Reserved.

Español p. 22



Federal regulations require ceiling fans with light kits manufactured or imported after January 1, 2009, to limit total wattage consumed by the light kit to 190W. Therefore, this fan is equipped with a wattage limiting device. If you lamp this fan's light kit with bulbs totaling more than 190W, the wattage limiting device will reduce the watts consumed to 190W.



LISTED
E192641

ATTACH YOUR RECEIPT HERE

Serial Number _____ Purchase Date _____



Questions, problems, missing parts? Before returning to your retailer, call our customer service department at **1-800-643-0067**, 8 a.m. - 6 p.m., EST, Monday - Thursday, 8 a.m. - 5 p.m., EST, Friday.



TABLE OF CONTENTS

Safety Information	2
Package Contents	4
Hardware Contents	5
Preparation	5
Initial Installation	6
Downrod-Style Fan Mounting	7
Closemount-Style Fan Mounting	10
Wiring	11
Final Installation	13
Operating Instructions.....	17
Care and Maintenance	18
Troubleshooting	19
Limited Lifetime Warranty	20
Replacement Parts List	21

SAFETY INFORMATION

READ AND SAVE THESE INSTRUCTIONS

Please read and understand this entire manual before attempting to assemble, install or operate the product.

- Do not discard fan carton or foam inserts. Should this fan need to be returned to the factory for repairs, it must be shipped in its original packaging to ensure proper protection against damage that might exceed the initial cause for return.
- Make sure all electrical connections comply with local codes, ordinances, the National Electrical Code and ANSI/NFPA 70-1999. Hire a qualified electrician or consult a do-it-yourself wiring handbook if you are unfamiliar with installing electrical wiring.
- Make sure the installation site you choose allows a minimum clearance of 7 ft. from the blades to the floor and at least 30 in. from the end of the blades to any obstruction.
- After you install the fan, make sure all connections are secure to prevent the fan from falling.
- The net weight of this fan, including the light kit, is: 22.9 lbs.



WARNING



To reduce the risk of fire, electrical shock or personal injury, mount fan to outlet box marked "ACCEPTABLE FOR FAN SUPPORT OF 35 LBS. (15.9 KG) OR LESS" and use mounting screws provided with the outlet box. Most outlet boxes commonly used for the support of lighting fixtures are not acceptable for fan support and may need to be replaced. Consult a qualified electrician if in doubt.

When mounting fan to a ceiling outlet box, use a METAL octagonal outlet box. Secure the outlet box directly to the building structure. The outlet box and its support must be able to support the moving weight of the fan (at least 35 lbs.). Do NOT use a plastic outlet box.

To avoid personal injury, the use of gloves may be necessary while handling fan parts with sharp edges.

To reduce the risk of fire, electrical shock or personal injury, wire connectors provided with this fan are designed to accept only one 12-gauge house wire and two lead wires from the fan. If your house wire is larger than 12-gauge or there is more than one house wire to connect to the corresponding fan lead wires, consult an electrician for the proper size wire connectors to use.

To reduce the risk of fire or electrical shock, do not use the fan with any solid state speed control device or control fan speed with a full range dimmer switch.

To reduce the risk of fire, electrical shock or personal injury, do not bend the blade arms when installing them, balancing the blades or cleaning the fan. Do not insert objects between the rotating fan blades.

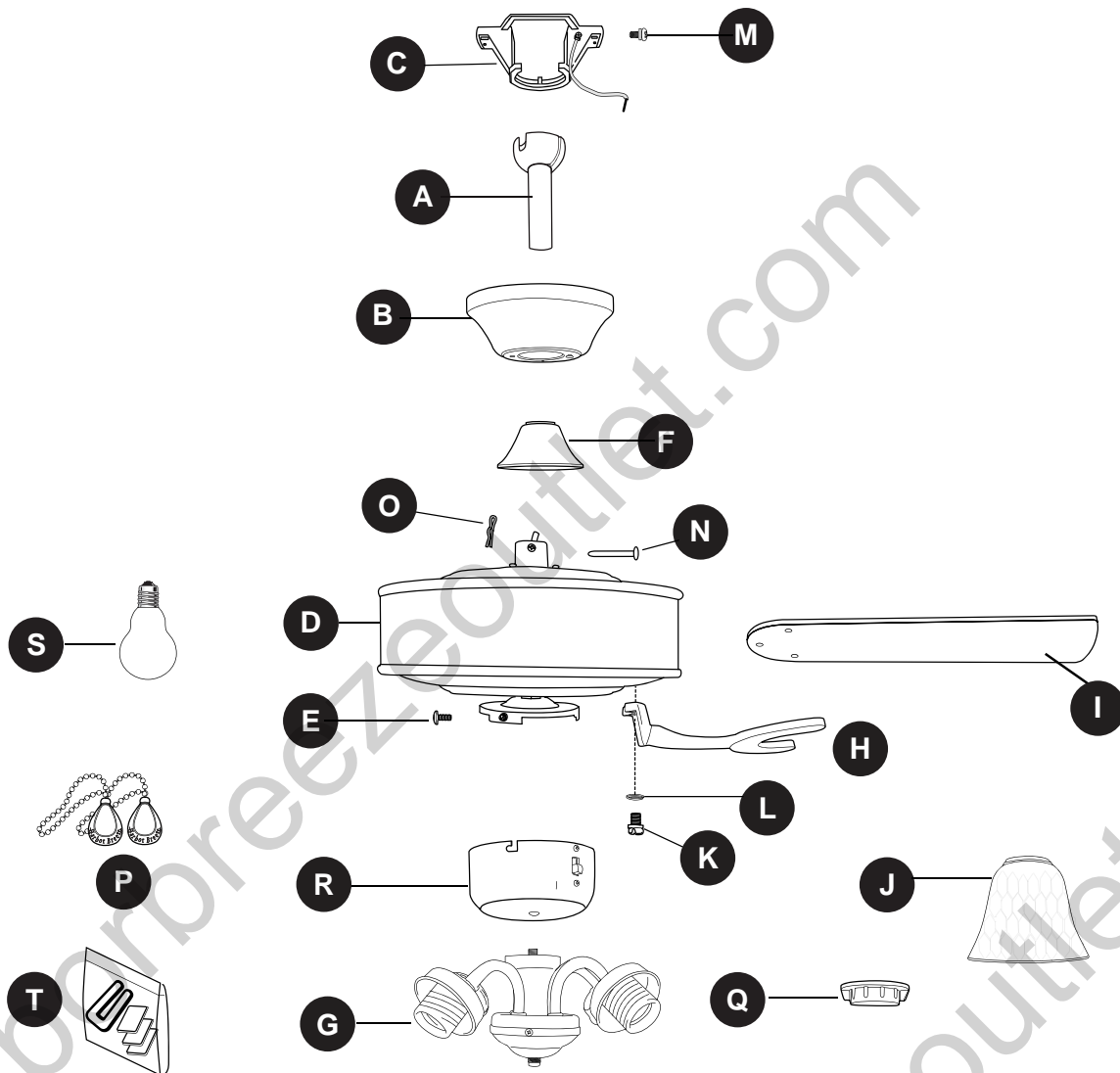
To reduce the risk of personal injury, use **only** parts provided with this fan. The use of parts **OTHER** than those provided with this fan will void the warranty.

CAUTION

Before proceeding, be sure to shut off electricity at main switch or circuit breaker in order to avoid electrical shock.

Read all instructions and safety information before installing your new fan. Review the accompanying assembly diagrams.

PACKAGE CONTENTS




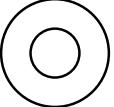
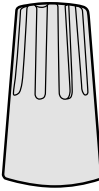

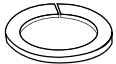
PART	DESCRIPTION	QUANTITY
A	Downrod	1
B	Canopy	1
C	Mounting Bracket	1
D	Motor Housing	1
E	Fitter Plate Screw (preassembled)	3
F	Yoke Cover	1
G	Light Kit Fitter	1
H	Blade Arm	5
I	Blade	5
J	Glass Shade	4

PART	DESCRIPTION	QUANTITY
K	Motor Screw (preassembled)	10
L	Lock Washer (preassembled)	10
M	Canopy Mounting Screw (preassembled)	4
N	Pin (preassembled)	1
O	Clip (preassembled)	1
P	Pull Chain Extension	2
Q	Socket Ring (preassembled)	4
R	Switch Housing	1
S	Bulb	4
T	Balancing Kit	1

⚠ IMPORTANT REMINDER: You must use the parts provided with this fan for proper installation and safety.



HARDWARE CONTENTS (shown actual size)

AA	BB	CC	DD	EE
				
Blade Screw	Fiber Blade Washer	E3 Wire Connector	Hex Nut	Lock Washer
Qty. 15 + 1 extra	Qty. 15 + 1 extra	Qty. 4	Qty. 1	Qty. 1

PREPARATION

Before beginning assembly of product, make sure all parts are present. Compare parts with package contents list and hardware contents list. If any part is missing or damaged, do not attempt to assemble the product.

Estimated Assembly Time: 120 minutes

Tools Required for Assembly (not included): Electrical Tape, Phillips Screwdriver, Pliers, Safety Glasses, Stepladder and Wire Strippers

Helpful Tools (not included): AC Tester Light, Tape Measure, Do-It-Yourself Wiring Handbook (available at Lowe's) and Wire Cutters

⚠ DANGER: When using an existing outlet box, make sure the outlet box is securely attached to the building structure and can support the full weight of the fan. Failure to do this can result in serious injury or death. The stability of the outlet box is essential in minimizing wobble and noise in the fan after installation is complete.

⚠ CAUTION: Be sure outlet box is properly grounded and that a ground wire (green or bare) is present.

After opening top of carton, remove mounting hardware package from foam inserts. Remove motor from packing and place on carpet or on foam to avoid damage to finish.

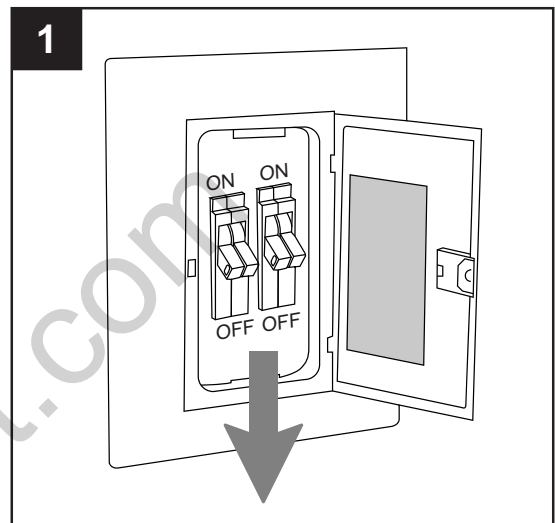
⚠ CAUTION: Carefully check all screws, bolts and nuts on fan motor assembly to ensure they are secured.



INITIAL INSTALLATION

1. Turn off circuit breakers and wall switch to the fan supply line leads.

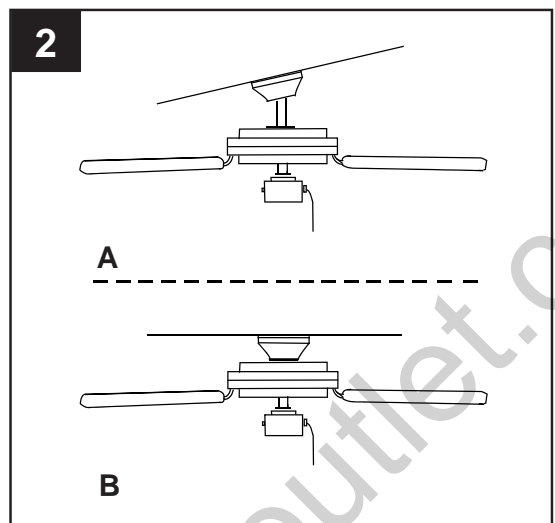
⚠ DANGER: Failure to disconnect power supply prior to installation may result in serious injury or death.



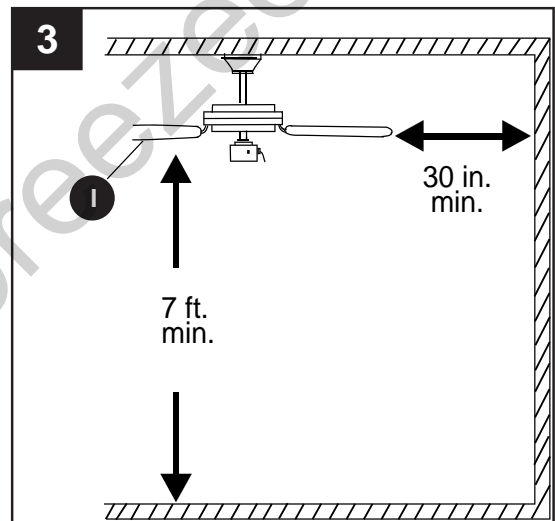
2. Determine mounting method to use.
 - A. Downrod-style (standard or angled ceiling)
 - B. Closemount-style (standard ceiling only)

IMPORTANT: If using the angle mount, ensure the ceiling angle is not steeper than 19°.

***Helpful Hint:** Downrod-style mounting is best suited for ceilings 8 ft. high or higher. For taller ceilings you may want to use a longer downrod (not included). Angle-style mounting is best suited for angled or vaulted ceilings. A longer downrod is sometimes necessary to ensure proper blade clearance.



3. Check to make sure blades (I) will be at least 30 in. from any obstruction and at least 7 ft. above the floor.

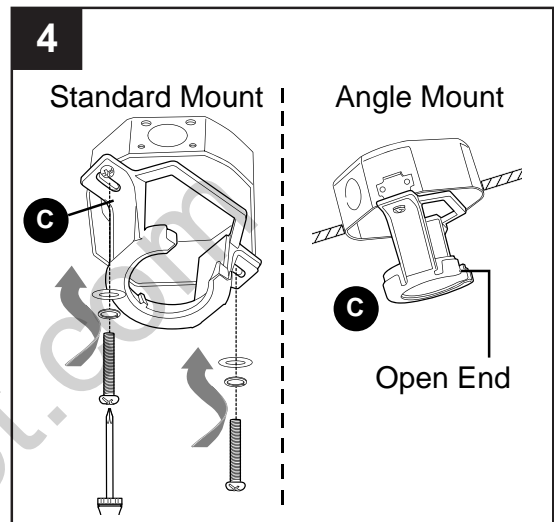


INITIAL INSTALLATION

- Secure mounting bracket (C) to outlet box (not included) using screws, spring washers and flat washers provided with the outlet box.

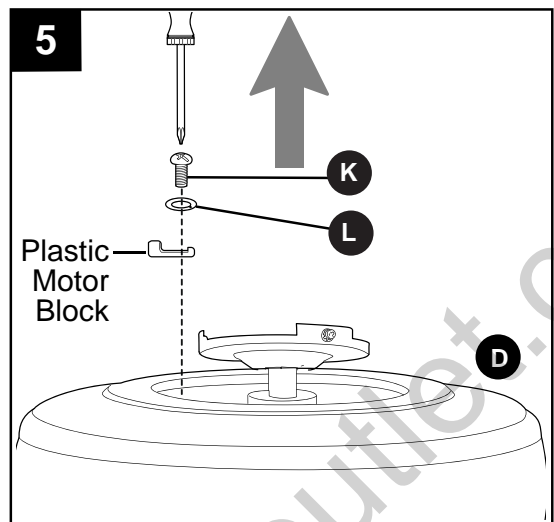
***NOTE:** It is very important you use the proper hardware when installing the mounting bracket (C) as this will support the fan.

IMPORTANT: If using the angle mount, make sure open end of mounting bracket (C) is installed facing the higher point of the ceiling.



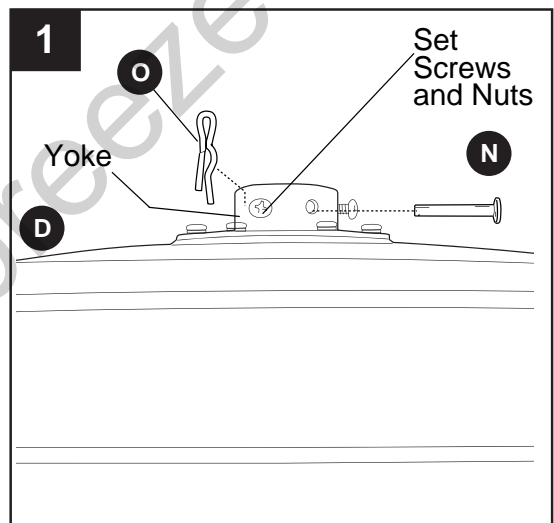
- Remove motor screws (K) and lock washers (L) from underside of motor housing (D). Set aside for later use. [If there are plastic motor blocks installed with the motor screws (K) and lock washers (L), discard the plastic motor blocks.]

For **DOWNROD-STYLE FAN MOUNTING**, proceed to step 1 below. For **CLOSEMOUNT-STYLE FAN MOUNTING**, skip to page 10.



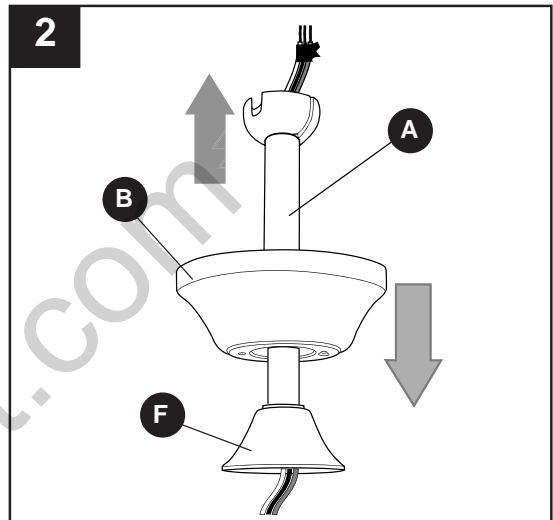
DOWNROD-STYLE FAN MOUNTING

- Remove pin (N) and clip (O) from yoke at the top of motor housing (D) and partially loosen preassembled set screws and nuts.

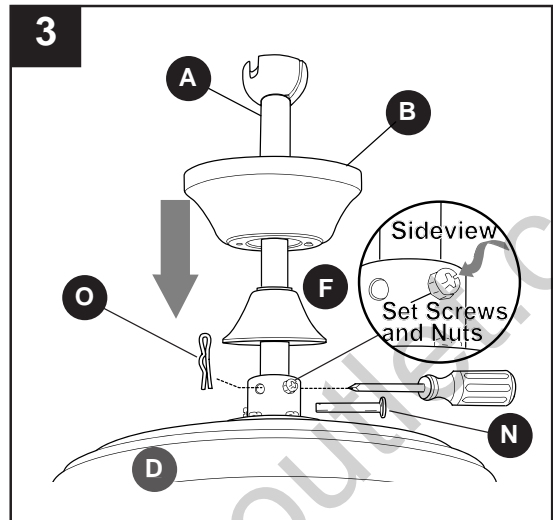


DOWNROD-STYLE FAN MOUNTING

2. Insert downrod (A) through canopy (B) and yoke cover (F). Thread wires from motor housing (D) up through downrod (A).



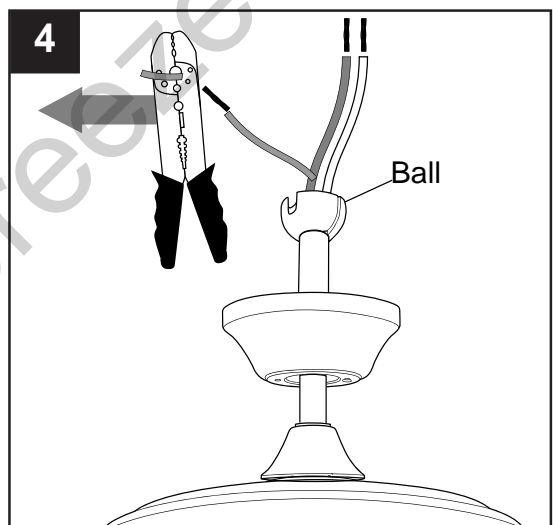
3. Slip downrod (A) into yoke, align holes and re-install pin (N) and clip (O). Tighten set screws in yoke and then tighten preassembled nuts on the set screws.



4. Depending on the length of downrod you use, you may need to cut the lead wires back to simplify the wiring. If you decide to cut back the lead wires, it is suggested you do so in the following manner:

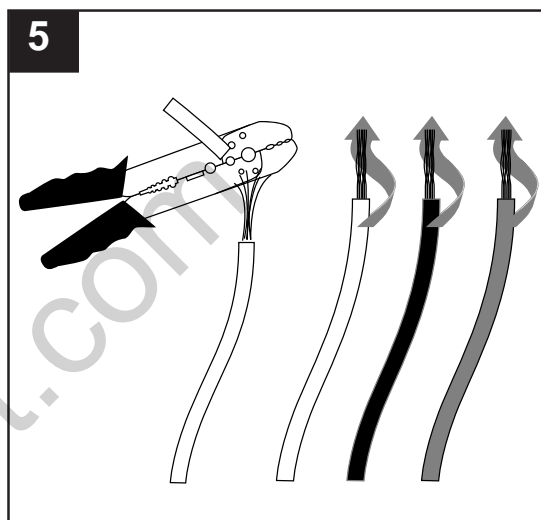
Take the lead wires and make sure you have pulled them all the way through the top of the downrod. Start at the TOP of the ball on the downrod and measure 8 in. of lead wire, and then cut the excess wire off with wire cutters (not included).

NOTE: If you do *not* cut back the lead wires, **Steps 4 and 5 are not necessary and you may proceed to Step 6 instead.**



DOWNROD-STYLE FAN MOUNTING

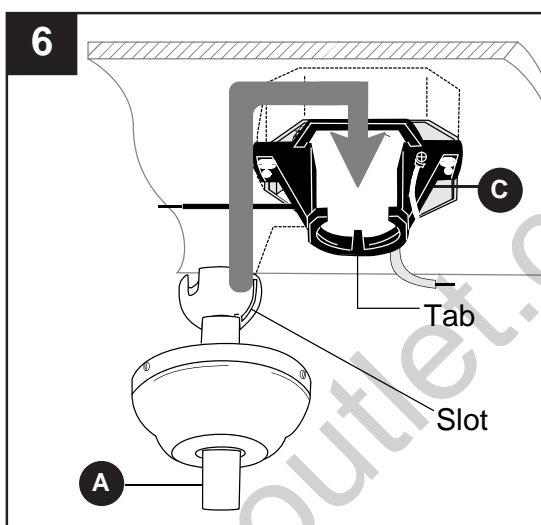
5. If you decided to cut back the lead wires in Step 4, strip 1/2 in. of insulation from end of white wire. Twist stripped ends of each strand of wire within the insulation with pliers (not included). Repeat Step 5 for black, blue (if applicable) and green wires.



6. Install ball end of downrod (A) into opening of mounting bracket (C). Align slot in ball with tab in mounting bracket (C).

⚠ DANGER: Failure to align slot in ball with tab may cause the fan to wobble or fall, which could result in serious injury or death.

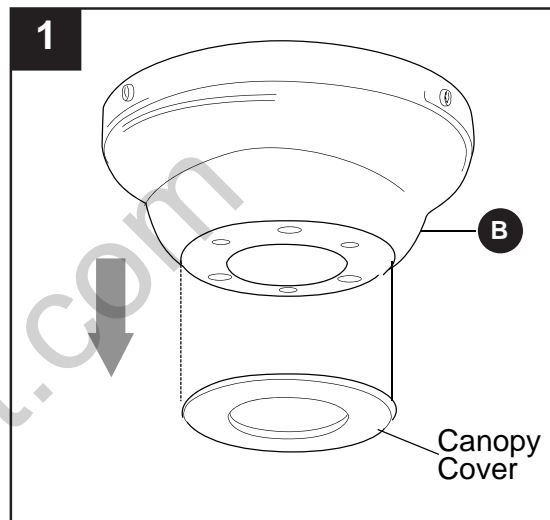
Continue to **WIRING** on page 11.



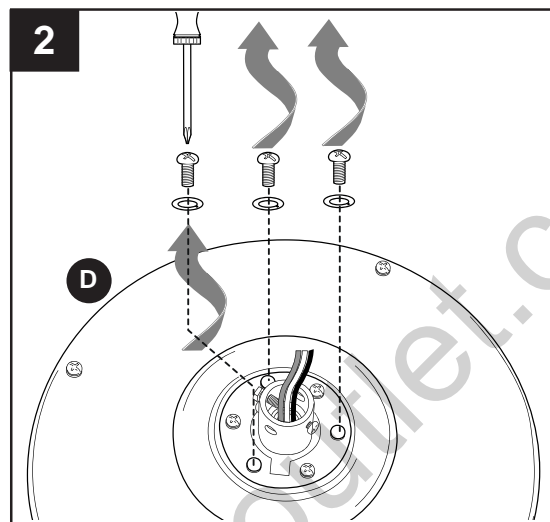
CLOSEMOUNT-STYLE FAN MOUNTING

1. Remove canopy cover from bottom of canopy (B).
[NOTE: It may be necessary to use the handle end of a screwdriver (not included) to remove the canopy cover by tapping on the canopy cover from the *inside* of the canopy (B).]

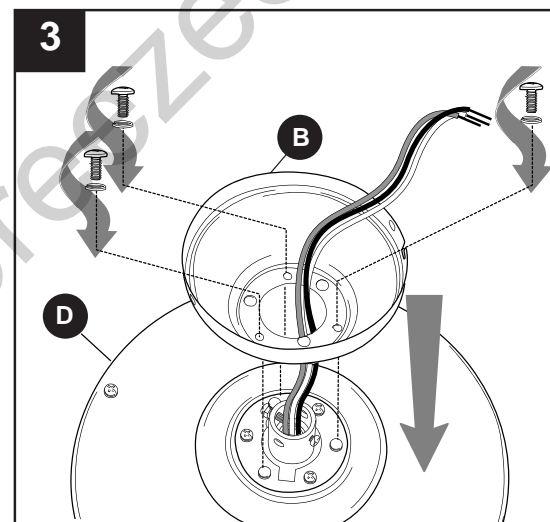
***Helpful Hint:** Closemount-style mounting is more suitable for ceilings lower than 8 ft. high. The downrod (A), hanging ball, yoke cover (F) and canopy cover are not used in this type of installation.



2. Remove every other screw and lock washer from top of motor housing (D).

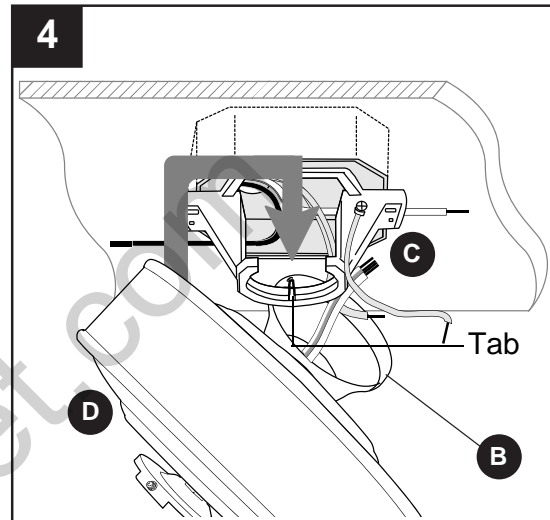


3. Pull wires up through hole in the middle of the canopy (B) and attach canopy (B) to motor housing (D) using the three screws and three lock washers previously removed.



CLOSEMOUNT-STYLE FAN MOUNTING

- Temporarily hang motor housing (D) on the tab on the mounting bracket (C) using one of the *non-slotted* holes in the canopy (B).



WIRING

⚠ WARNING: To reduce the risk of fire, electrical shock or personal injury, wire connectors provided with this fan are designed to accept only one 12-gauge house wire and two lead wires from the fan. If your house wire is larger than 12-gauge or there is more than one house wire to connect to the corresponding fan lead wires, consult an electrician for the proper size wire connectors to use.

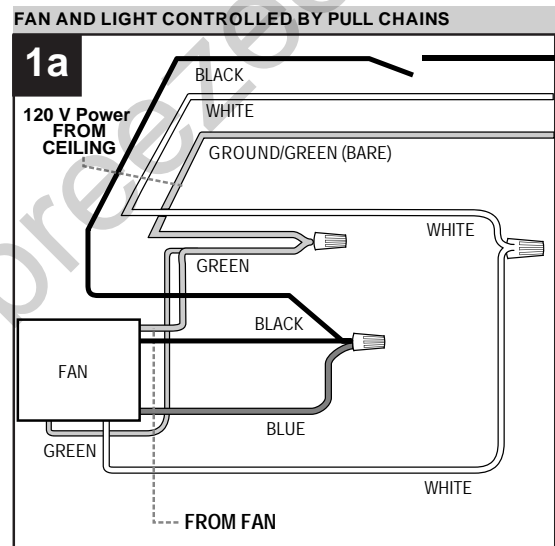
⚠ CAUTION: Be sure outlet box is properly grounded and that a ground (green or bare) wire is present.

⚠ WARNING: If house wires are different colors than referred to in the following steps, stop immediately. A professional electrician is recommended to determine wiring.

NOTE: This fan is remote control adaptable (remote control not included).

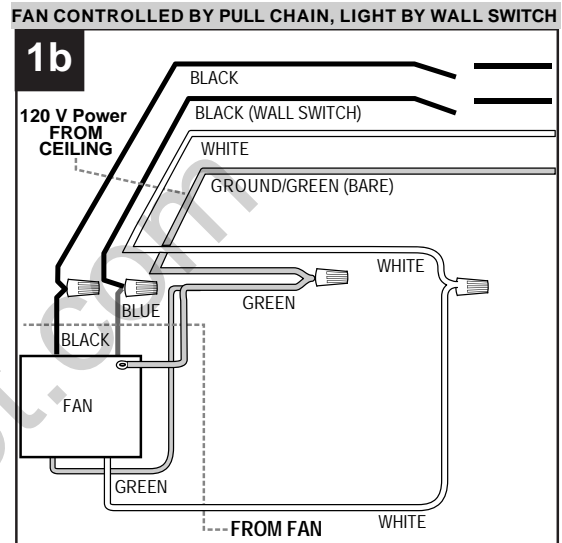
- Choose wiring diagram (Fig. 1a, Fig. 1b or Fig. 1c) that fits your situation and make appropriate wiring connections as follows: **[NOTE:** For each wire connection below, use one of the wire connectors (CC) provided, making sure to screw wire connector (CC) on in a clockwise direction.]

1a. FAN AND LIGHT CONTROLLED BY PULL CHAINS: Connect BLACK and BLUE wire from fan to BLACK wire from ceiling. Connect WHITE wire from fan to WHITE wire from ceiling. Connect GREEN wire from fan (on mounting bracket (C) and downrod (A)) to BARE/GREEN wire from ceiling.

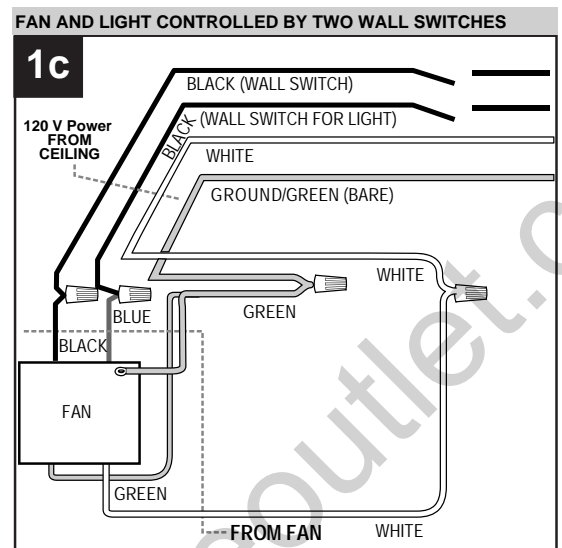


WIRING

1b. FAN CONTROLLED BY PULL CHAIN, LIGHT BY WALL SWITCH: If you intend to control the fan light with a separate wall switch, connect BLACK wire from fan to BLACK wire from ceiling. Connect BLUE wire from fan to the BLACK (or RED) wire from the independent wall switch for the light. Connect WHITE wire from fan to WHITE wire from ceiling. Connect GREEN wire from fan (on mounting bracket (C) and downrod (A)) to BARE/GREEN wire from ceiling.



1c. FAN AND LIGHT CONTROLLED BY TWO WALL SWITCHES: If you intend to control the fan and light with separate wall switches, connect BLACK wire from fan to BLACK wire from the independent wall switch for the fan. Connect BLUE wire from fan to the BLACK (or RED) wire from the other independent wall switch for the light. Connect WHITE wire from fan to WHITE wire from ceiling. Connect GREEN wire together from fan (on mounting bracket (C) and downrod (A)) to BARE/GREEN wire from ceiling.



2. Wrap electrical tape (not included) around each individual wire connector (CC) down to the wire.

⚠ WARNING: Make sure no bare wire or wire strands are visible after making connections. Place GREEN and WHITE connections on opposite side of box from the BLACK and BLUE (if applicable) connections.

Turn spliced/taped wires upward and gently push wires and wire connectors (CC) into outlet box.

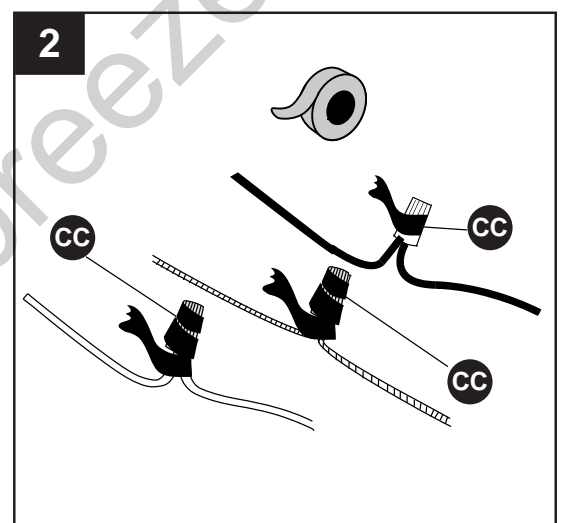
Hardware Used



E3 Wire Connector



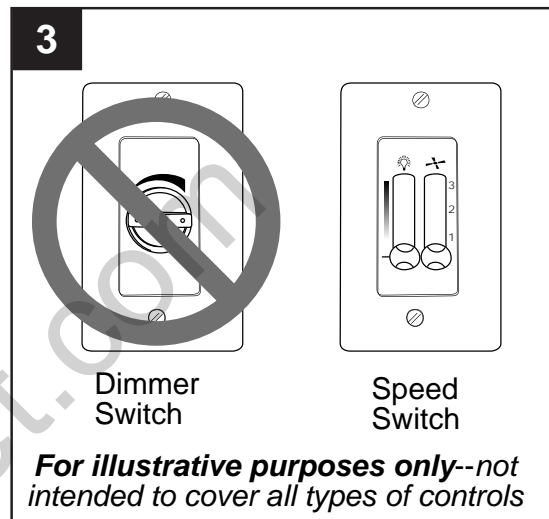
x 4



Lowe's.com/harborbreeze

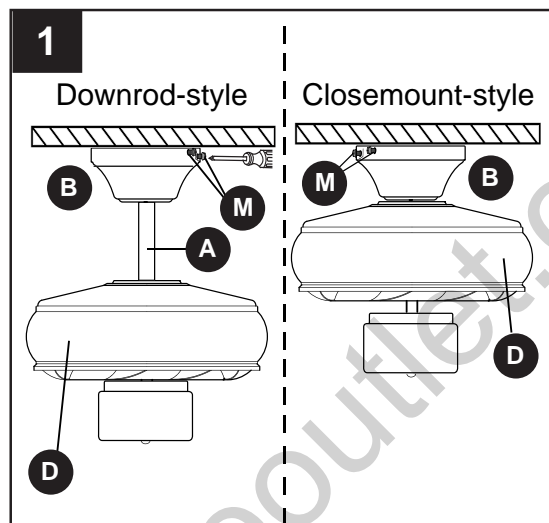
WIRING

3. **IMPORTANT:** Using a full range dimmer switch (not included) to control fan speed will cause a loud humming noise from fan. To reduce the risk of fire or electrical shock, do NOT use a full range dimmer switch to control fan speed.

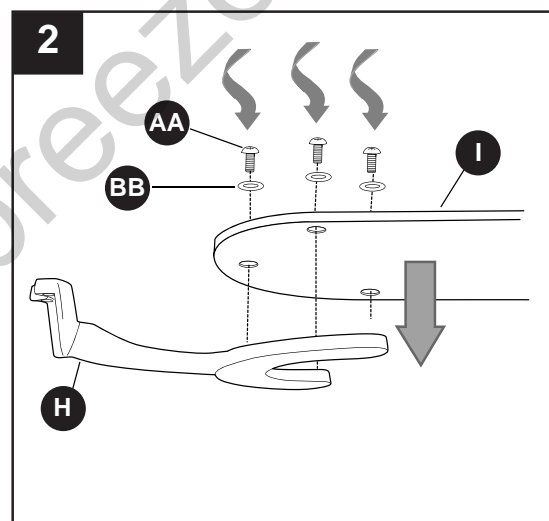


FINAL INSTALLATION

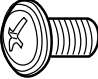

1. Temporarily lift canopy (B) to mounting bracket (C) to determine which two canopy mounting screws (M) align with slotted holes in canopy (B) and partially loosen these two canopy mounting screws (M). Remove the other two canopy mounting screws (M). Then, lift canopy (B) to mounting bracket (C) again, aligning slotted holes in canopy (B) with loosened canopy mounting screws (M) in mounting bracket (C). Twist canopy (B) clockwise to lock. Re-insert the canopy mounting screws (M) previously removed, then tighten all securely.



2. Partially insert three blade screws (AA) along with three fiber blade washers (BB) to attach one blade arm (H) to a blade (I). Then, tighten each blade screw (AA) starting with the one in the middle. Repeat with remaining blades (I).



Hardware Used

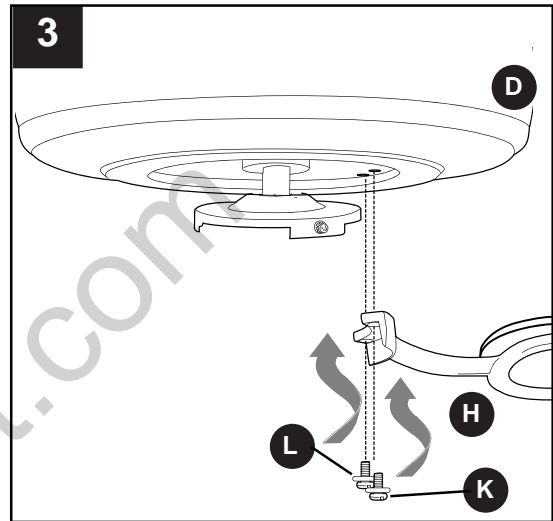
AA Blade Screw		x15
BB Fiber Blade Washer		x15



FINAL INSTALLATION

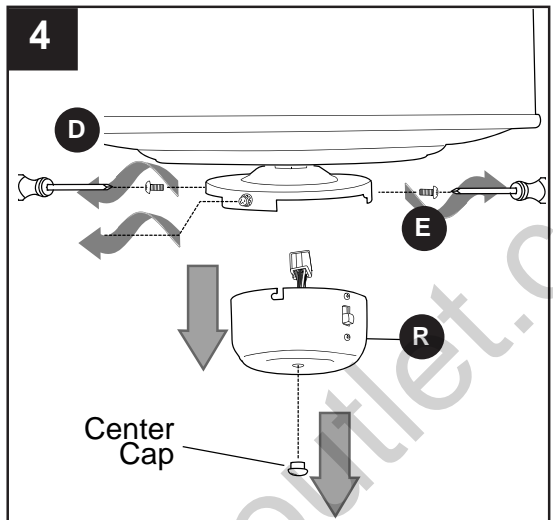
3. Locate motor screws (K) and lock washers (L) previously removed (Step 5, page 7).

Insert two motor screws (K) along with lock washers (L) through one blade arm (H) to attach blade arm (H) to motor housing (D). Tighten motor screws (K) securely. Repeat with remaining blade arms (H), making sure to completely secure each blade arm (H) before proceeding with the next.

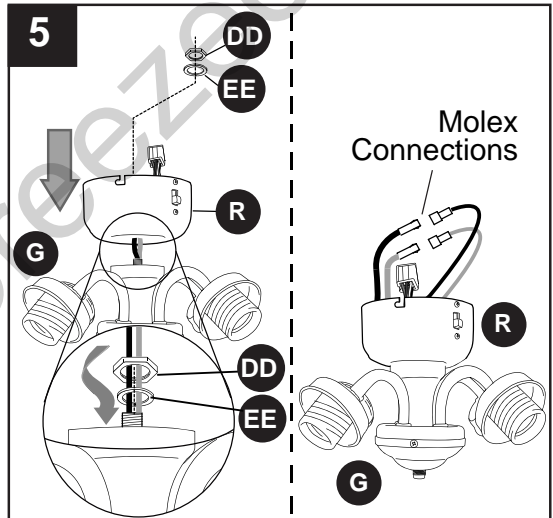


4. **If you wish to use the fan WITH the light kit,** remove three fitter plate screws (E) from fitter plate on underside of motor housing (D). Push center cap out of switch housing (R) with a screwdriver. Continue to Step 5.



If you do NOT wish to use the light kit, proceed to Step 10, page 16.



5. Gently feed molex wires (one at a time) from light kit fitter (G) through center hole in switch housing (R). Screw switch housing (R) onto threaded rod on light kit fitter (G) followed by lock washer (EE) and hex nut (DD). Tighten hex nut (DD) over lock washer (EE) for a secure fit. Then, connect WHITE molex wire from light kit fitter (G) to WHITE molex wire from switch housing (R). Connect BLACK molex wire from light kit fitter (G) to BLUE molex wire from switch housing (R). Make sure that molex connections snap together securely.



Hardware Used

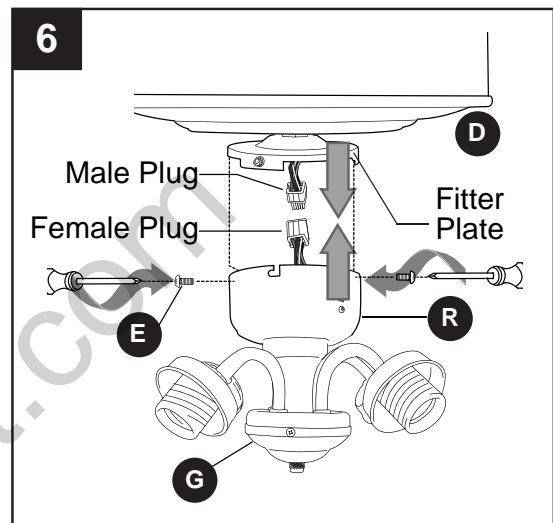
DD Hex Nut		x 1
EE Lock Washer		x 1



FINAL INSTALLATION

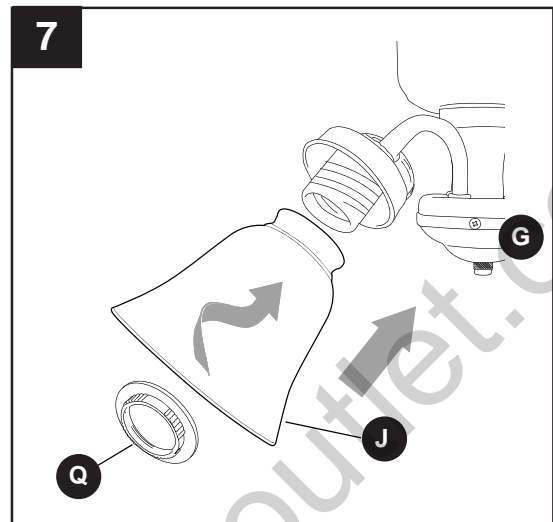
6. Connect male plug from motor housing (D) to female plug from switch housing (R). Make sure plugs are connected tightly.

Align holes in switch housing (R) with holes in fitter plate. Re-insert the fitter plate screws (E) previously removed (Step 4, page 14), then tighten all securely.



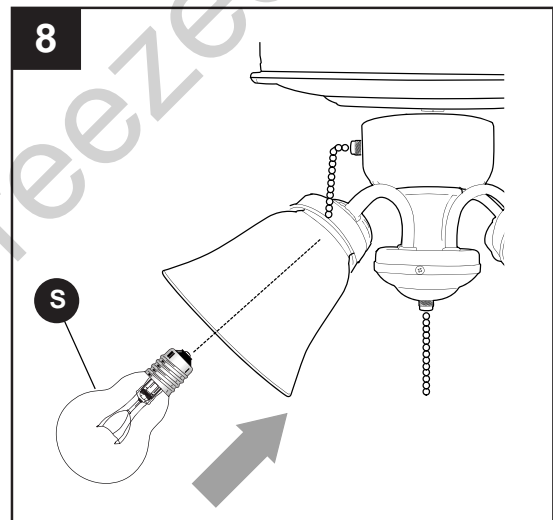
7. Remove socket rings (Q) from sockets on light kit fitter (G). Attach glass shades (J) to sockets, securing with socket rings (Q).

CAUTION: Do not overtighten socket rings (Q) as glass may crack or break.



8. Install bulbs (S).

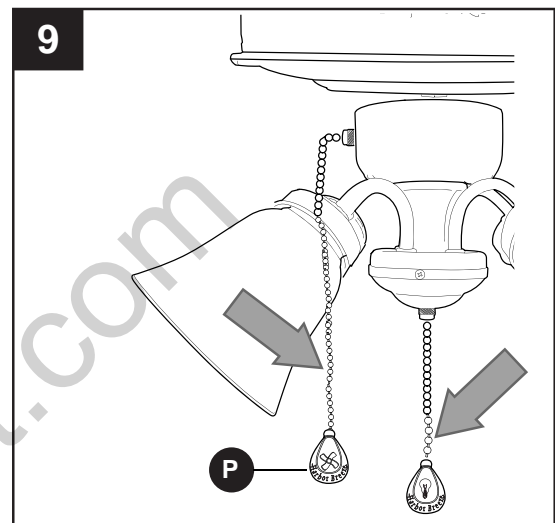
IMPORTANT: When replacing bulbs, allow bulb(s) and glass shade(s) to cool down before touching them.



FINAL INSTALLATION

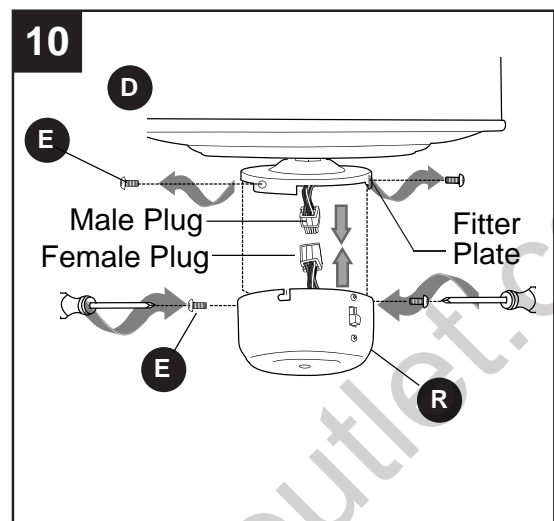
9. Attach applicable pull chain extensions (P) or custom pull chain extensions (not included) to the fan and light pull chains.

Assembly is now complete.



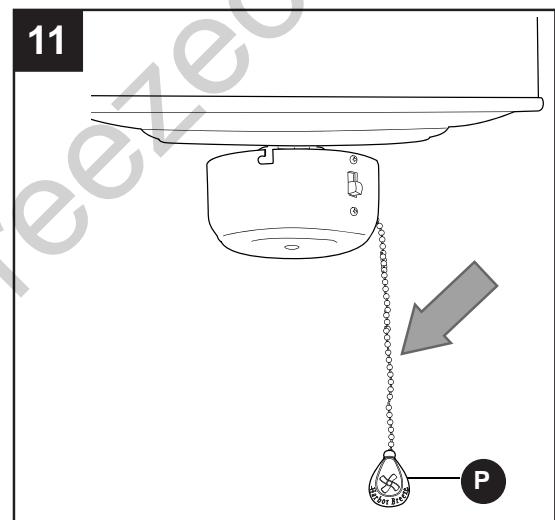
10. To install the fan without the light kit, remove three fitter plate screws (E) from fitter plate preassembled to motor housing (D). Then, connect male plug from motor housing (D) to female plug from switch housing (R), matching up the colors on the male plug with the colors on the female plug for correct fit. Make sure plugs connect tightly. Re-insert fitter plate screws (E), then tighten all securely.

⚠ WARNING: RISK OF SHOCK. The molex connections inside switch housing (R) should not be removed.



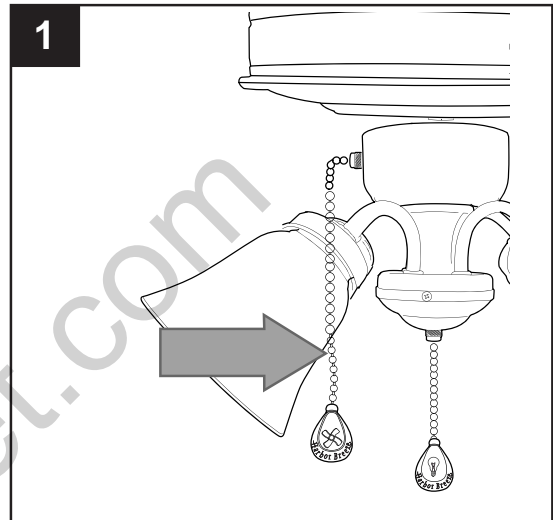
11. Attach applicable pull chain extension (P) or custom pull chain extension (not included) to the fan pull chain.

Assembly is now complete.

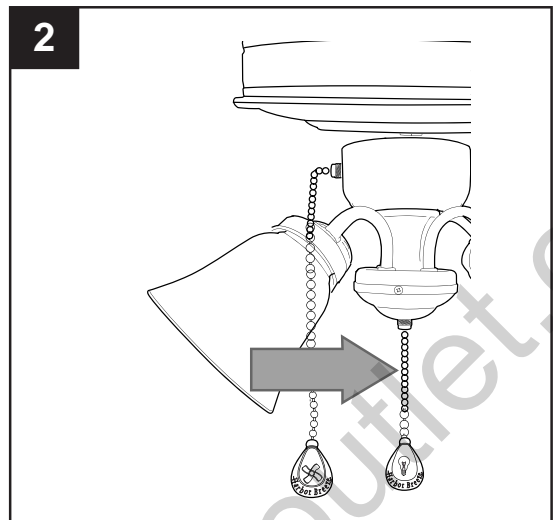


OPERATING INSTRUCTIONS

1. The pull chain located on the switch housing has four positions to control **fan** speed. One pull is HIGH, two is MEDIUM, three is LOW and four turns the fan OFF.

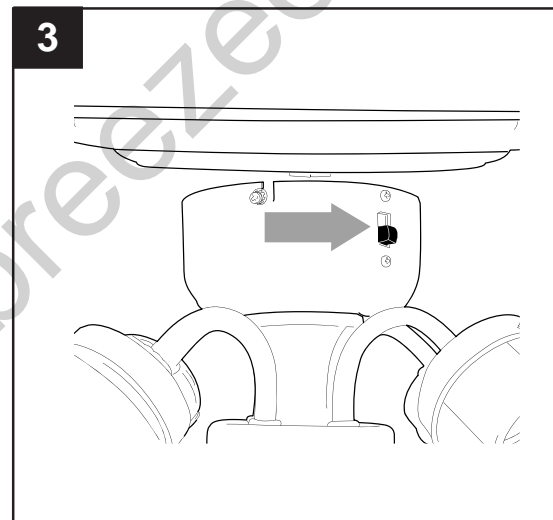


2. The pull chain located in the middle is used to turn the **lights** (if applicable) ON or OFF.



3. Use the fan reverse switch, located on the switch housing, to optimize your fan for seasonal performance. A ceiling fan will allow you to raise your thermostat setting in summer and lower your thermostat setting in winter without feeling a difference in your comfort.

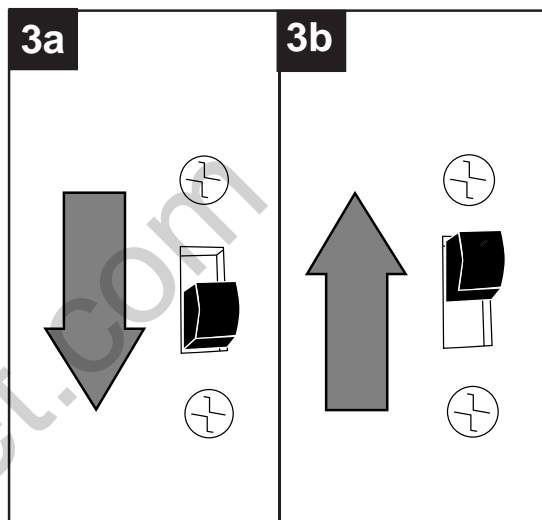
NOTE: Wait for fan to stop before moving the reverse switch.



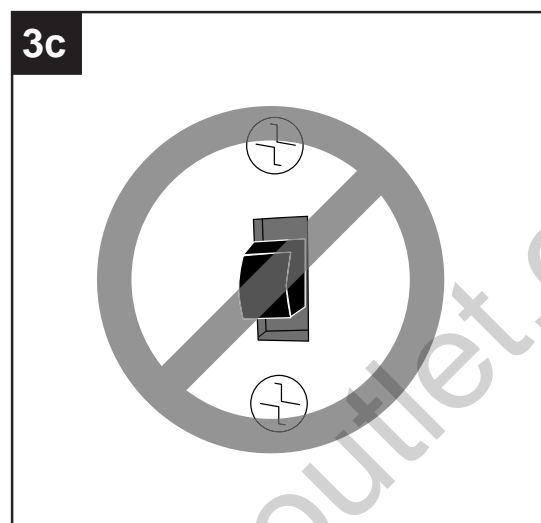
OPERATING INSTRUCTIONS

3a. In **warmer** weather, setting the reverse switch in the *DOWN* position will result in downward airflow creating a wind chill effect.

3b. In **cooler** weather, setting the reverse switch in the *UP* position will result in upward airflow that can help move stagnant, hot air off the ceiling area.



3c. **IMPORTANT:** Reverse switch must be set either **completely UP** or **completely DOWN** for fan to function. If the reverse switch is set in the *middle* position, fan will not operate.



CARE AND MAINTENANCE

At least twice each year, lower canopy (B) to check downrod (A) assembly, and then tighten all screws on the fan. Clean motor housing (D) with only a soft brush or lint-free cloth to avoid scratching the finish. Clean blades (I) with a lint-free cloth. You may occasionally apply a light coat of furniture polish to wood blades for added protection.

IMPORTANT: Shut off main power supply before beginning any maintenance. Do not use water or a damp cloth to clean the ceiling fan.

Bulb Replacement: Use 40-watt max. candelabra-base bulbs or 11-watt CFLs.

TROUBLESHOOTING

⚠ WARNING: Before beginning work, shut off the power supply to avoid electrical shock.

PROBLEM	POSSIBLE CAUSE	CORRECTIVE ACTION
Fan does not move.	<ol style="list-style-type: none"> Reverse switch not engaged. Power is off or fuse is blown. Faulty wire connection. Plugs are not connected properly. 	<ol style="list-style-type: none"> Push switch firmly either left or right. Turn power on or check fuse. Turn power off. Loosen canopy and check all connections. Check that male and female plugs in switch housing are connected properly according to instructions on page 15.
Noisy operation.	<ol style="list-style-type: none"> Blades are loose. Cracked blade. Full range dimmer switch. Fan is new. 	<ol style="list-style-type: none"> Tighten all blade screws. Replace blade. Replace with an approved speed control device. Allow fan a "break in" period of a few days, especially when running the fan at Medium and High speeds.
Excessive wobbling.	<ol style="list-style-type: none"> Blades are loose. Unbalanced blades. Fan not securely mounted. Fan too close to vaulted ceiling. Set screw(s) on motor housing yoke is (are) not tightened properly. Set screw on hanging ball is not tightened properly. 	<ol style="list-style-type: none"> Tighten all blade screws. Switch one blade with a blade from the opposite side or use balancing kit (T). Turn power off. Carefully loosen canopy and verify that mounting bracket is secure. Use a longer downrod or move fan to another location. Tighten yoke set screw(s) securely. Carefully loosen and lower canopy and verify that set screw on hanging ball is tightened securely.
Fan operates but light fails.	<ol style="list-style-type: none"> Bulbs not installed correctly. Wires in outlet box not wired properly. Wall switch to fan is off. Light kit is lamped with more than the allowable 190W, causing the wattage limiting device to interrupt the flow of electricity to the light kit. Set screw(s) on motor housing yoke is (are) not tightened properly. Set screw on hanging ball is not tightened properly. 	<ol style="list-style-type: none"> Re-install bulbs. Check wires in outlet box and, if necessary, re-wire according to instructions on pages 11 and 12. Make sure that wall switch to fan is on. Lamp light kit with bulbs that total no more than 190W. Tighten yoke set screw(s) securely. Carefully loosen and lower canopy and verify that set screw on hanging ball is tightened securely.

NOTE: A small amount of "wobble" is normal and should not be considered a defect.



LIMITED LIFETIME WARRANTY

The distributor warrants this fan to be free from defects in workmanship and materials present at time of shipment from the factory for Lifetime limited from the date of purchase. This warranty applies only to the original purchaser. The distributor agrees to correct any defect at no charge or, at our option, replace the ceiling fan with a comparable or superior model.

To obtain warranty service, present a copy of your sales receipt as proof of purchase. All cost of removal and reinstallation are the express responsibility of the purchaser. Any damage to the ceiling fan by accident, misuse or improper installation, or by using parts not produced by the manufacturer of this fan or affixing accessories not produced by the manufacturer of this fan, are the purchaser's own responsibility. The distributor assumes no responsibility whatsoever for fan installation during the limited lifetime warranty. Any service performed by an unauthorized person will render the warranty invalid.

Due to varying climatic conditions, this warranty does not cover changes in brass finish, rusting, pitting, tarnishing, corroding or peeling. Brass finish fans maintain their beauty when protected from varying weather conditions. Any glass provided with this fan is not covered by the warranty.

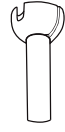
Any replacement of defective parts for the ceiling fan must be reported within the first year from the date of purchase. For the balance of the warranty, call our customer service department (at **1-800-643-0067**) for return authorization and shipping instructions so that we may repair or replace the ceiling fan. Any fan or parts returned improperly packaged is/are the sole responsibility of the purchaser. There is no further express warranty. The distributor disclaims any and all implied warranties. The duration of any implied warranty which cannot be disclaimed is limited to the limited lifetime period as specified in our warranty. The distributor shall not be liable for incidental, consequential or special damages arising at or in connection with product use or performance except as may otherwise be accorded by law. This warranty gives you specific legal rights and you may also have other rights which vary from state to state. This warranty supersedes all prior warranties.



REPLACEMENT PARTS LIST

For replacement parts, call our customer service department at **1-800-643-0067**, 8 a.m. - 6 p.m., EST, Monday - Thursday, 8 a.m. - 5 p.m., EST, Friday.

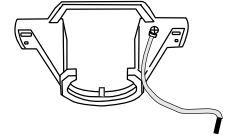
PART	DESCRIPTION	PART#
A	Downrod	125519-A
B	Canopy	125519-B
C	Mounting Bracket	125519-C
E	Fitter Plate Screw	125519-E
F	Yoke Cover	125519-F
G	Light Kit Fitter	125519-G
H	Blade Arm	125519-H
I	Blade	125519-I
J	Glass Shade	125519-J
K	Motor Screw	125519-K
L	Lock Washer	125519-L
M	Canopy Mounting Screw	125519-M
N	Pin	125519-N
O	Clip	125519-O
Q	Socket Ring	125519-Q
R	Switch Housing	125519-R
AA	Blade Screw	125519-AA
BB	Fiber Blade Washer	125519-BB
DD	Hex Nut	125519-DD
EE	Lock Washer	125519-EE



A



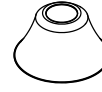
B



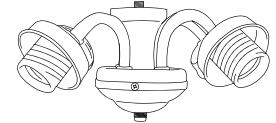
C



E



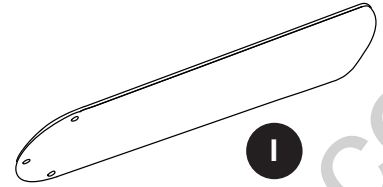
F



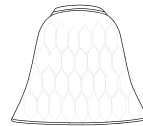
G



H



I



J



K



L



M



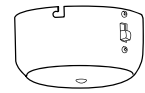
N



O



Q



R



AA



BB



DD



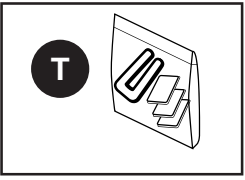
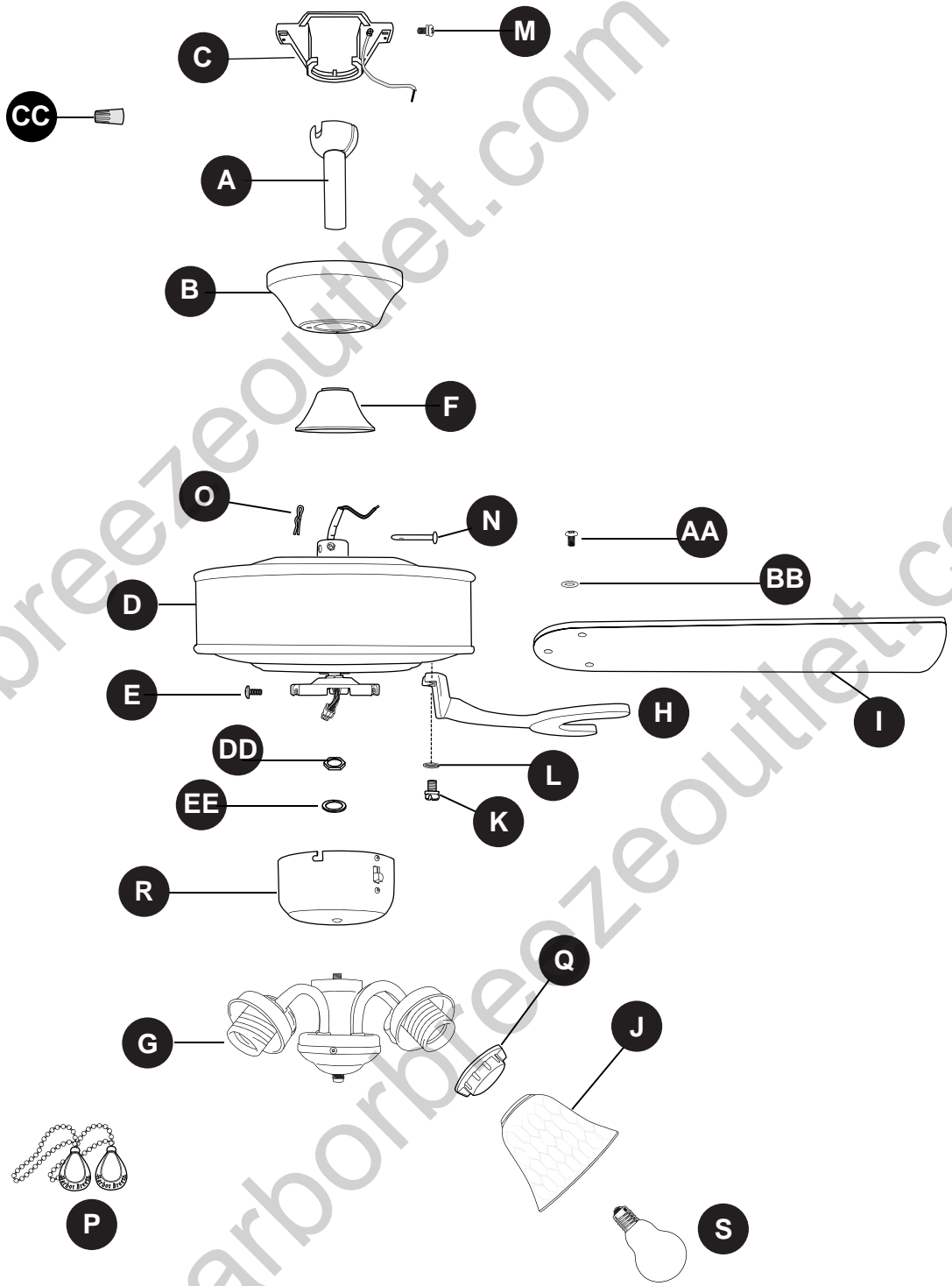
EE

Printed in China

Harbor Breeze® is a registered trademark of LF, LLC. All Rights Reserved.



EXPLODED VIEW/VISTA DETALLADA



Quick Reference Guide

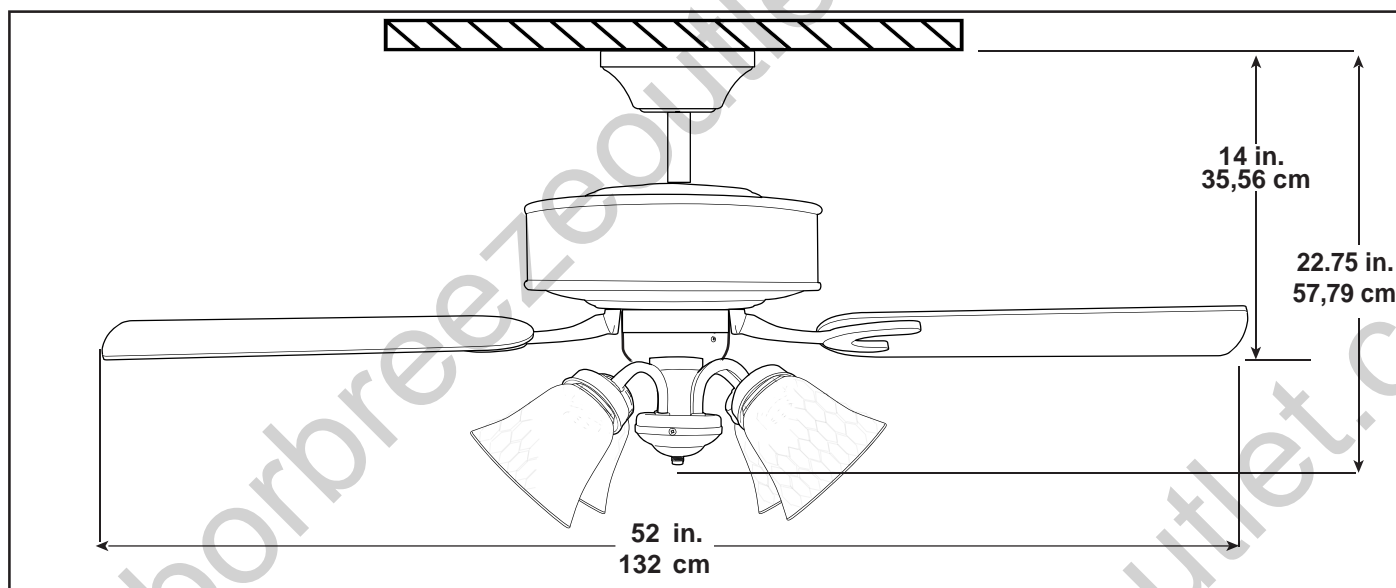
Guía de referencia rápida

Pullout Section
Sección desprendible

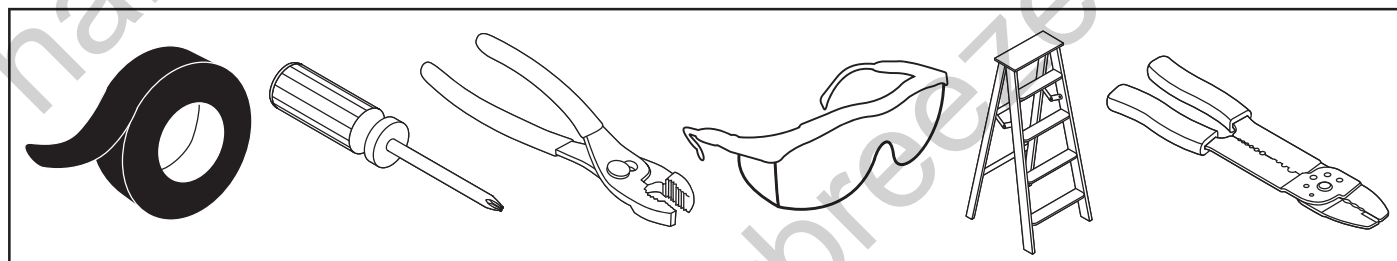
⚠ BEFORE BEGINNING INSTALLATION/ANTES DE COMENZAR LA INSTALACIÓN

This is a general overview of assembly process. Read the complete installation manual for detailed instructions and safety information./Este es un resumen general del proceso de ensamblaje. Lea el manual de instalación completo para obtener instrucciones detalladas e información de seguridad.

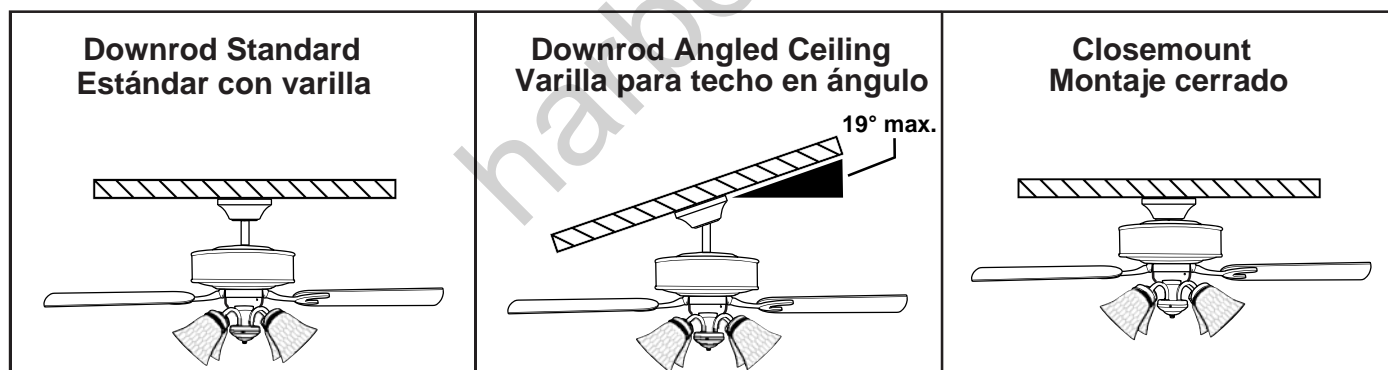
DIMENSIONS/DIMENSIONES



TOOLS REQUIRED/HERRAMIENTAS NECESARIAS



MOUNTING OPTION/OPCIÓN DE MONTAJE



QUICK REFERENCE GUIDE/GUÍA DE REFERENCIA RÁPIDA

INSTALLATION OVERVIEW/DESCRIPCIÓN GENERAL DE LA INSTALACIÓN

STOP Turn Off Power Source
Apague la fuente de alimentación

or

1 Install Mounting Bracket
Instale el soporte de montaje

STANDARD MOUNT
MONTAJE ESTÁNDAR

ANGLE MOUNT
MONTAJE EN ÁNGULO

See Page
Consulte la
página

7
28

Open End
Extremo abierto

4 Hang Fan on Bracket
Cuelgue el ventilador en el soporte

Tab
Lengüeta

Slot
Ranura

Downrod/Varilla

Closemount/Montaje cerrado

See Page
Consulte la
página

9
30

5 Connect Wiring
Conecte el cableado

From Power Source
Desde la fuente de alimentación

Green/Verde

White/Blanco

Black/Negro

Ground
Puesta a tierra

Black/Negro

Green/Verde

Blue/Azul

White/Blanco

For additional wiring options, consult manual.
Consulte el manual para conocer las opciones
adicionales de cableado.

⚠ Consult an electrician if wiring needs differ.
Consulte con un electricista si las necesidades
de cableado varían.

See Page
Consulte la
página

11
32

8a Install Light Kit
Instale el kit de iluminación

DD

EE

E

G

J

Q

R

S

See Page
Consulte la
página

14
35

8b Install Without Light Kit
Instale sin el kit de iluminación

D

E

R

See Page
Consulte la
página

16
37

INSTALLATION OVERVIEW/DESCRIPCIÓN GENERAL DE LA INSTALACIÓN

2 **Feed Wires**
Pase los cables

Downrod/Varilla Closemount/Montaje cerrado

See Page
Consulte la
página

8
29

3 **Install Downrod (if necessary)**
Instale la varilla (si es necesario)

Set Screws and Nuts
Tornillos de fijación y tuercas

Sideview
Vista lateral

See Page
Consulte la
página

8
29

6 **Attach Canopy**
Fije la base

Downrod/Varilla Closemount/Montaje cerrado

See Page
Consulte la
página

13
34

7 **Install Blade Arms and Blades**
Fije los brazos de las aspas y las aspas

See Page
Consulte la
página

13
34

9 **Install Pull Chain Extensions**
Instale las extensiones de la cadena de tiro

WITH LIGHT KIT
CON EL
KIT DE
ILUMINACIÓN

WITHOUT LIGHT KIT
SIN EL
KIT DE
ILUMINACIÓN

See Page
Consulte la
página

16
37

Turn On Power Source
Encienda la fuente de alimentación

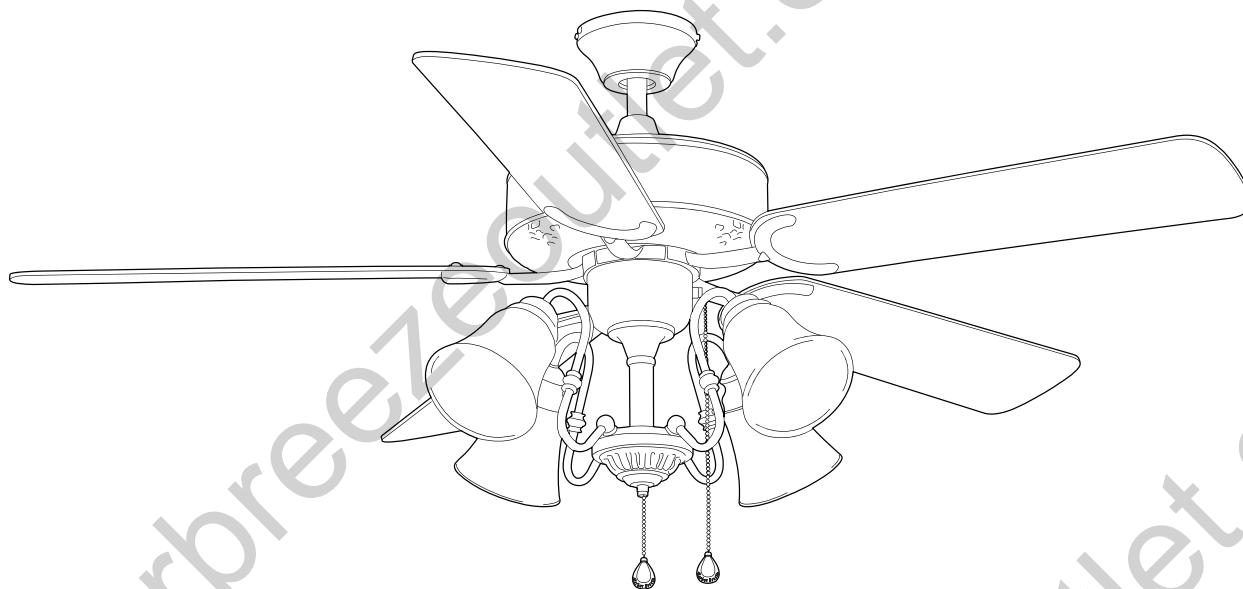
or



VENTILADOR DE TECHO DUBOIS

Harbor Breeze® es una marca registrada de LF, LLC. Todos los derechos reservados.

MODELO # DM52BCP5CS



Los reglamentos federales requieren que los ventiladores de techo con kit de iluminación fabricados o importados después del 1 de enero de 2009, tengan un límite de vataje total consumido por el kit de iluminación de 190 vatios. Por lo tanto, este ventilador está equipado con un dispositivo de control de vataje. Si utiliza el kit de iluminación de este ventilador con bombillas de un total mayor que 190 vatios, el dispositivo de control de vataje reducirá los vatios consumidos a 190 vatios.



ADJUNTE SU RECIBO AQUÍ

Número de serie _____ Fecha de compra _____



¿Preguntas, problemas, piezas faltantes? Antes de volver a la tienda, llame a nuestro Departamento de Servicio al Cliente al **1-800-643-0067**, de lunes a jueves de 8 a.m. a 6 p.m., y los viernes de 8 a.m. a 5 p.m., hora estándar del Este.



ÍNDICE

Información de seguridad	23
Contenido del paquete	25
Aditamentos	26
Preparación	26
Instalación inicial	27
Estilo de montaje de varilla del ventilador	28
Estilo de montaje cerrado del ventilador	31
Cableado	32
Instalación final	34
Instrucciones de funcionamiento.....	38
Cuidado y mantenimiento	39
Solución de problemas	40
Garantía limitada de por vida	41
Lista de piezas de repuesto	42

INFORMACIÓN DE SEGURIDAD

LEA Y GUARDE ESTAS INSTRUCCIONES

Lea y comprenda completamente este manual antes de intentar ensamblar, instalar o usar el producto.

- No deseche la caja del ventilador ni los accesorios de espuma. En caso de que deba devolverse este ventilador a la fábrica para realizarle reparaciones, debe ser enviado en su empaque original para asegurar una protección adecuada contra daños que puedan aumentar la causa inicial de la devolución.
- Asegúrese de que todas las conexiones eléctricas cumplan con los códigos y las ordenanzas locales, el Código Eléctrico Nacional la norma ANSI/NFPA 70-1999. Si no está familiarizado con la instalación del cableado eléctrico, contrate a un electricista calificado o consulte un manual de cableado para hacerlo usted mismo.
- Asegúrese de que el sitio de instalación que elija permita establecer una distancia mínima de 2,13 m desde las aspas hasta el piso y que los extremos de las aspas estén, como mínimo, a 76,2 cm de cualquier obstáculo.
- Una vez instalado el ventilador, asegúrese de que todas las conexiones sean seguras a fin de evitar que se caiga.
- El peso neto de este ventilador, incluido el kit de iluminación, es: 10,39 kg.

ADVERTENCIA



Para reducir el riesgo de incendio, descargas eléctricas o lesiones personales, monte el ventilador en una caja de salida marcada como "ACCEPTABLE FOR FAN SUPPORT OF 35 LBS. (15.9 KG) OR LESS" (APTA PARA SOSTENER VENTILADORES DE 15,88 KG (35 LB) O MENOS) y utilice los tornillos de montaje que se proporcionan con la caja de salida. La mayoría de las cajas de salida que se usan comúnmente para sostener ensambles de iluminación no son aptas para sostener un ventilador y puede ser necesario reemplazarlas. Si tiene dudas, consulte a un electricista calificado.

Cuando monte el ventilador en una caja de salida del techo, use una caja de salida octogonal de METAL. Asegure la caja de salida directamente a la estructura del edificio. La caja de salida y su soporte deben ser capaces de sostener el peso del ventilador en movimiento (al menos 35 lb). NO use una caja de salida de plástico.

Para evitar lesiones personales, puede ser necesario usar guantes al manipular las piezas del ventilador con bordes filosos.

Para reducir el riesgo de incendios, descargas eléctricas o lesiones personales, los conectores de cables proporcionados con este ventilador están diseñados para soportar solo un cable de la casa de calibre 12 y dos cables conductores del ventilador. Si el conductor de la casa es de un calibre superior a 12 o hay más de un conductor de la casa para conectar a los cables conductores del ventilador correspondientes, consulte a un electricista cuál es el tamaño adecuado de los conectores de cables que debe utilizar.

Para reducir el riesgo de incendios o descargas eléctricas, no use el ventilador con dispositivos de control de velocidad para ventiladores de estado sólido ni controle la velocidad del ventilador con un regulador de intensidad de rango completo.

Para reducir el riesgo de incendio, descarga eléctrica o lesiones personales, no doble los brazos de las aspas al instalarlos, al equilibrar las aspas o al limpiar el ventilador. No introduzca objetos entre las aspas en movimiento del ventilador.

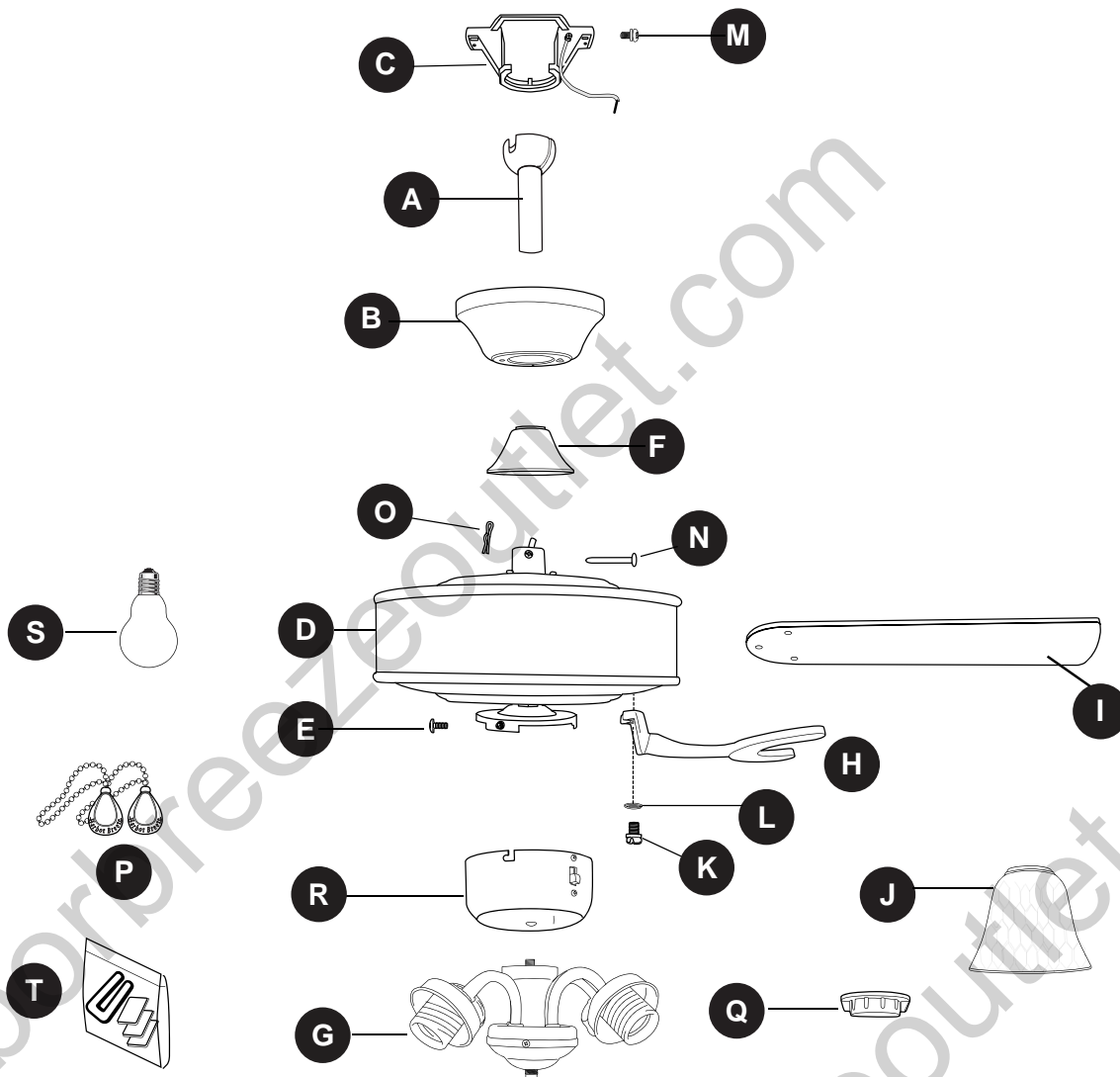
Para reducir el riesgo de lesiones personales, use **solo** las piezas que se proporcionan con este ventilador. El uso de piezas *DISTINTAS* a aquellas que se incluyen con este ventilador anulará la garantía.

PRECAUCIÓN

Antes de proceder, asegúrese de cortar la alimentación eléctrica de la caja principal de fusibles o interruptor de circuito a fin de evitar descargas eléctricas.

Lea todas las instrucciones y la información de seguridad antes de instalar el nuevo ventilador. Revise los diagramas de ensamblaje adjuntos.

CONTENIDO DEL PAQUETE


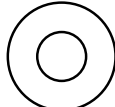
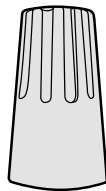




PIEZA	DESCRIPCIÓN	CANTIDAD
A	Varilla	1
B	Base	1
C	Soporte de montaje	1
D	Carcasa del motor	1
E	Tornillo de la placa de soporte (preensamblado)	3
F	Cubierta de la horquilla	1
G	Soporte del kit de iluminación	1
H	Brazo del aspa	5
I	Aspa	5
J	Pantalla de vidrio	4

⚠ RECORATORIO IMPORTANTE: Debe utilizar las piezas que se incluyen con este ventilador para la instalación adecuada y por seguridad.

PIEZA	DESCRIPCIÓN	CANTIDAD
K	Tornillo del motor (preensamblado)	10
L	Arandela de seguridad (preensamblada)	10
M	Tornillo de montaje de la base (preensamblado)	4
N	Pasador (preensamblado)	1
O	Sujetador (preensamblado)	1
P	Extensión para la cadena de tiro	2
Q	Anillo del portalámpara (preensamblado)	4
R	Carcasa del interruptor	1
S	Bombilla	4
T	Kit de equilibrio	1

ADITAMENTOS (se muestran en tamaño real)

AA	BB	CC	DD	EE
				
Tornillo para aspa	Arandela para aspa de fibra	Conector de cables E3	Tuerca hexagonal	Arandela de seguridad
Cant. 15 + 1 adicional	Cant. 15 + 1 adicional	Cant. 4	Cant. 1	Cant. 1

PREPARACIÓN

Antes de comenzar a ensamblar el producto, asegúrese de tener todas las piezas. Compare las piezas con la lista del contenido del paquete y la lista de aditamentos. No intente ensamblar el producto si falta alguna pieza o si están dañadas.

Tiempo estimado de ensamblaje: 120 minutos

Herramientas necesarias para el ensamblaje (no se incluyen): cinta aislante, destornillador Phillips, pinzas, gafas de seguridad, escalera de tijera y pinzas pelacables

Herramientas útiles (no se incluyen): luz de prueba de CA, cinta métrica, manual de cableado Hágalo usted mismo (disponible en Lowe's) y pinzas cortacables

⚠ PELIGRO: Si utiliza una caja de salida existente, asegúrese de que esté bien sujeta a la estructura del edificio y que pueda sostener el peso del ventilador. El incumplimiento de dicho paso podría provocar lesiones graves o la muerte. La estabilidad de la caja de salida es fundamental para minimizar el tambaleo y el ruido en el ventilador una vez que la instalación esté completa.

⚠ PRECAUCIÓN: Asegúrese de que la caja de salida tenga la debida puesta a tierra y de que haya un conductor (verde o desnudo) de puesta a tierra.

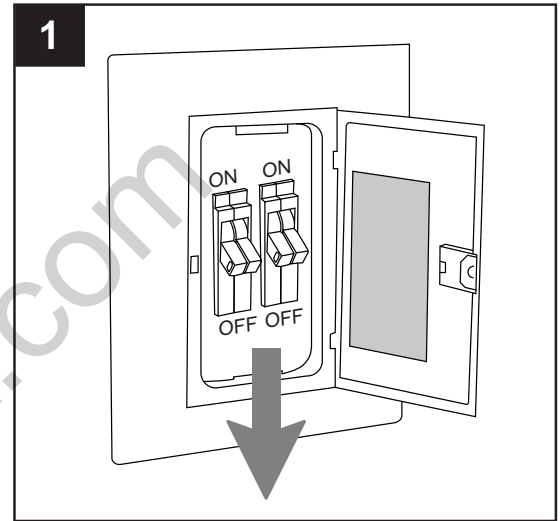
Después de abrir la parte superior de la caja, retire el paquete de aditamentos de montaje de los accesorios de espuma. Retire el motor del empaque y ubíquelo sobre una alfombra o espuma para evitar dañar el acabado.

⚠ PRECAUCIÓN: Revise cuidadosamente todos los tornillos, las tuercas y los pernos del ensamble del motor del ventilador para comprobar que estén seguros.

INSTALACIÓN INICIAL

1. Interrumpa el suministro de energía del ventilador apagando los interruptores de circuito y el interruptor de pared.

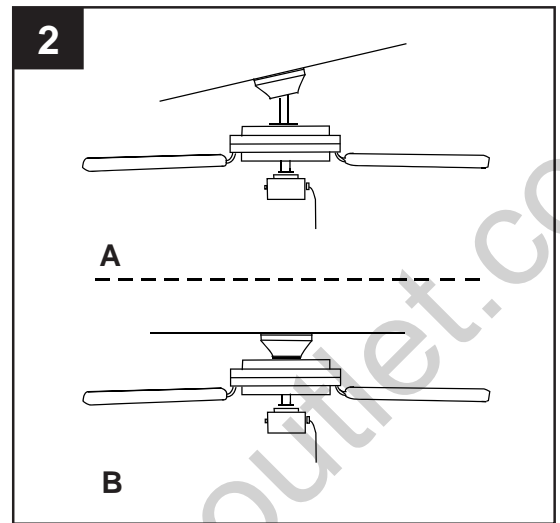
⚠ PELIGRO: Si no interrumpe el suministro de electricidad antes de la instalación, pueden producirse lesiones graves o la muerte.



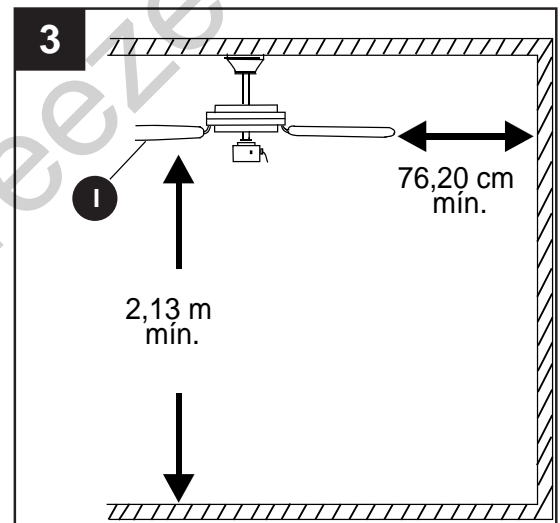
2. Determine el método de instalación que utilizará.
 - A. Montaje de varilla (techos estándar o en ángulo)
 - B. Montaje cerrado (solo para techos estándar)

IMPORTANTE: Si realiza el montaje en ángulo, verifique que el ángulo del techo no tenga una inclinación superior a los 19°.

***Consejo útil:** El montaje de varilla es mejor para los techos de 2,44 m (8 pies) de alto o más altos. Para techos más altos, se recomienda utilizar una varilla más larga (no incluida). El montaje en ángulo es mejor para los techos en ángulo o de bóveda. En ocasiones, es necesaria una varilla más larga para asegurar una adecuada separación de las aspas.



3. Compruebe que las aspas (I) estarán al menos a 76,2 cm de cualquier obstáculo y al menos a 2,13 m sobre el piso.

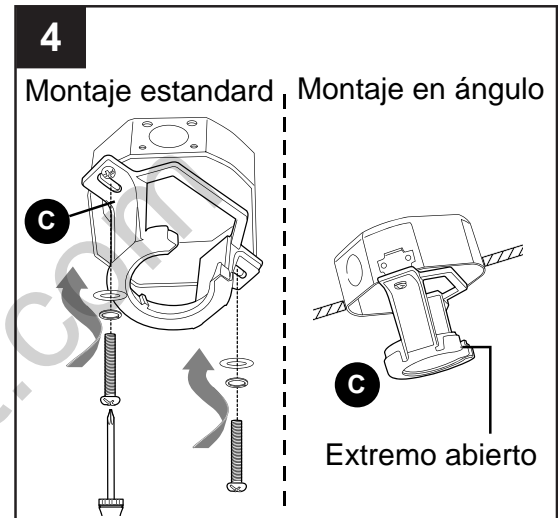


INSTALACIÓN INICIAL

4. Asegure el soporte de montaje (C) a la caja de salida (no se incluye) con los tornillos, las arandelas de resorte y las arandelas planas provistas con la caja de salida.

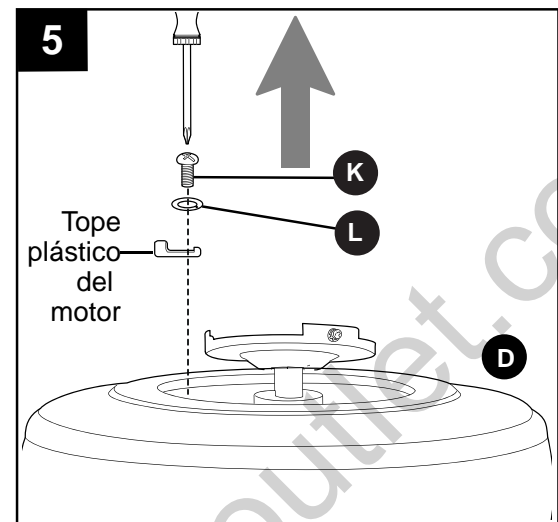
***NOTA:** Es muy importante que use los aditamentos adecuados para instalar el soporte de montaje (C), ya que este soportará el ventilador.

IMPORTANTE: Si realiza el montaje en ángulo, asegúrese de que el extremo abierto de el soporte de montaje (C) esté instalado en dirección hacia el punto más alto del techo.



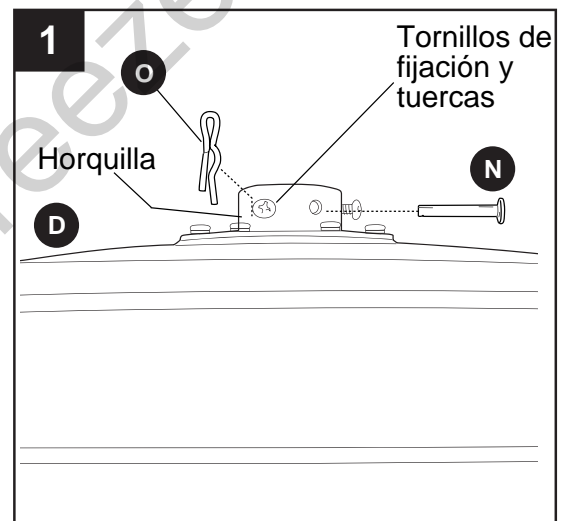
5. Retire los tornillos del motor (K) y las arandelas de seguridad (L) desde la parte inferior de la carcasa del motor (D). Guardelos para uso más adelante. [Si hay topes plásticos del motor instalados con los tornillos del motor (K) y las arandelas de seguridad (L), deseche los topes plásticos del motor].

Para **ESTILO DE MONTAJE DE VARILLA DEL VENTILADOR**, proceda con el paso 1 a continuación. Para **ESTILO DE MONTAJE CERRADO DEL VENTILADOR**, pase a la página 31.



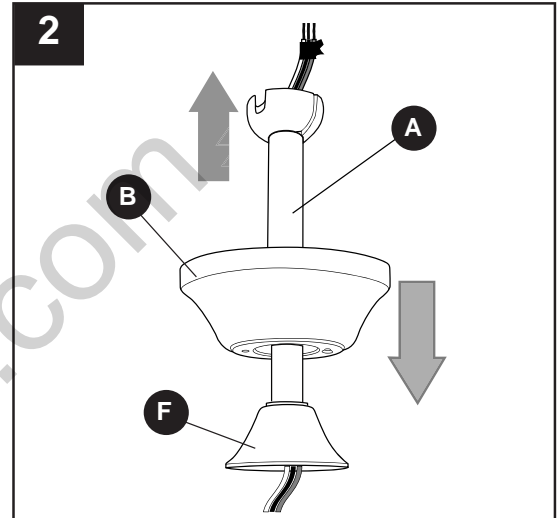
ESTILO DE MONTAJE DE VARILLA DEL VENTILADOR

1. Retire el pasador (N) y el sujetador (O) de la horquilla en la parte superior de la carcasa del motor (D) y afloje parcialmente los tornillos de fijación y las tuercas preensambladas.

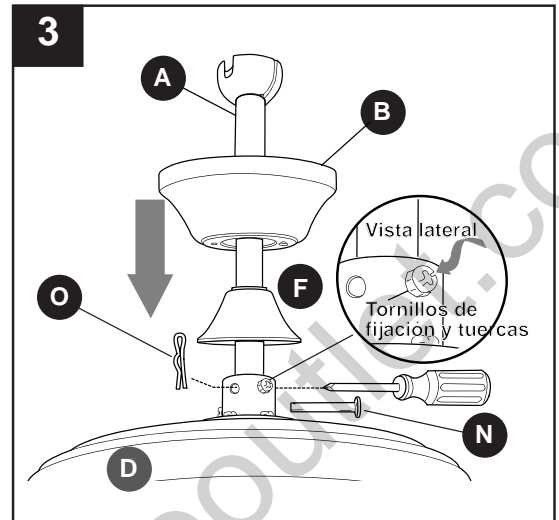


ESTILO DE MONTAJE DE VARILLA DEL VENTILADOR

- Introduzca la varilla (A) a través de la base (B) y la cubierta de la horquilla (F). Pase los conductores desde la carcasa del motor (D) a través de la varilla (A).



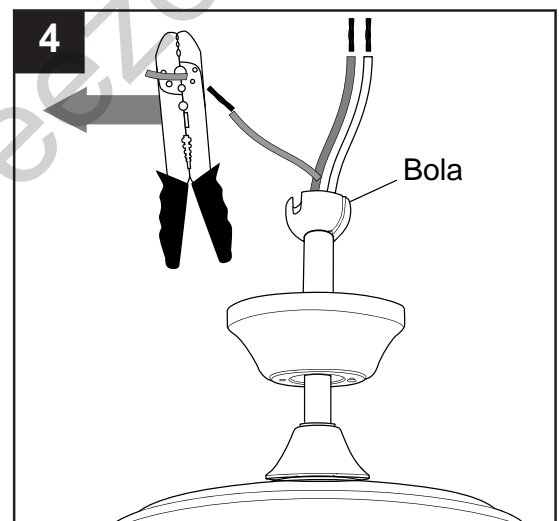
- Deslice la varilla (A) en la horquilla de la carcasa del motor, alinee los orificios y vuelva a instalar el pasador (N) y el sujetador (O). Apriete los tornillos de fijación en la horquilla de la carcasa del motor y apriete las tuercas preensambladas en los tornillos de fijación.



- Según el largo de la varilla que utilice, es posible que necesite cortar los cables conductores para simplificar el cableado. Si decide cortar los cables conductores, se sugiere hacerlo de la siguiente manera:

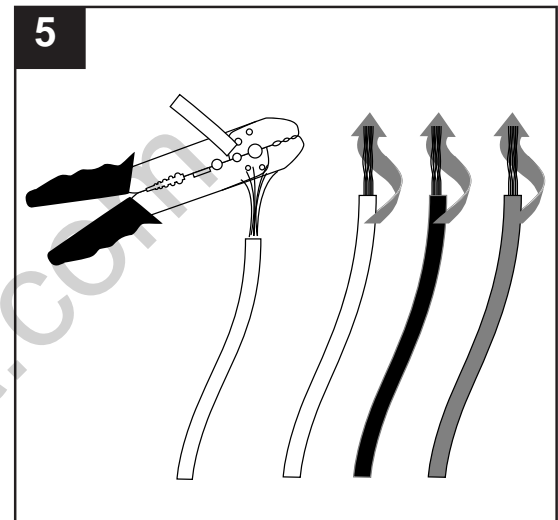
Sujete los cables conductores y asegúrese de jalarlos completamente a través de la parte superior de la varilla. Comience en la parte SUPERIOR de la bola en la varilla y mida 20,32 cm de cable conductor y corte el exceso de cable con las pinzas cortacables (no se incluyen).

NOTA: Si no cortó los cables conductores, los **Pasos 4 y 5 no son necesarios y puede proceder con el Paso 6 en su lugar.**



ESTILO DE MONTAJE DE VARILLA DEL VENTILADOR

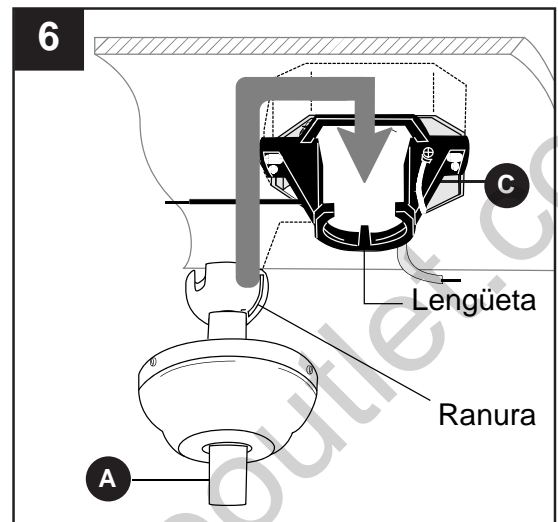
5. Si decidió cortar los cables conductores en el Paso 4, pele 12,7 mm del aislamiento en el extremo del conductor blanco. Tuerza los extremos pelados de cada filamento de conductor dentro del aislamiento con pinzas (no se incluyen). Repita el Paso 5 para los conductores negro, azul (si corresponde) y verde.



6. Instale el extremo con la bola de la varilla (A) en la abertura de el soporte de montaje (C). Alinee la ranura de la bola con la lengüeta en el soporte de montaje (C).

⚠ PELIGRO: Si no alinea la ranura de la bola con la lengüeta puede hacer que se tambalee el ventilador o que se caiga, que podría producirse lesiones graves o la muerte.

Continúe con el **CABLEADO** de la página 32.

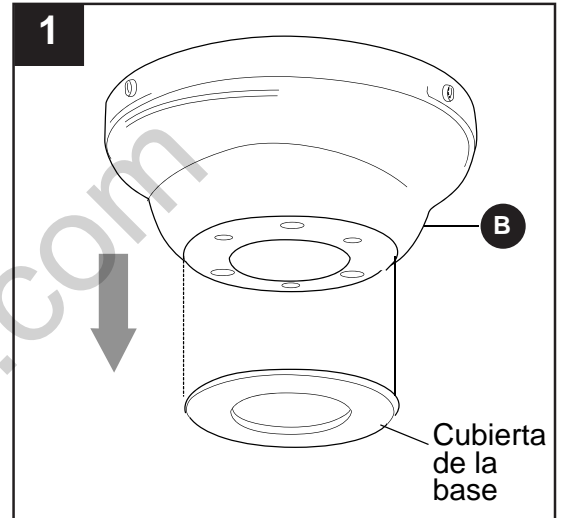


ESTILO DE MONTAJE CERRADO DEL VENTILADOR

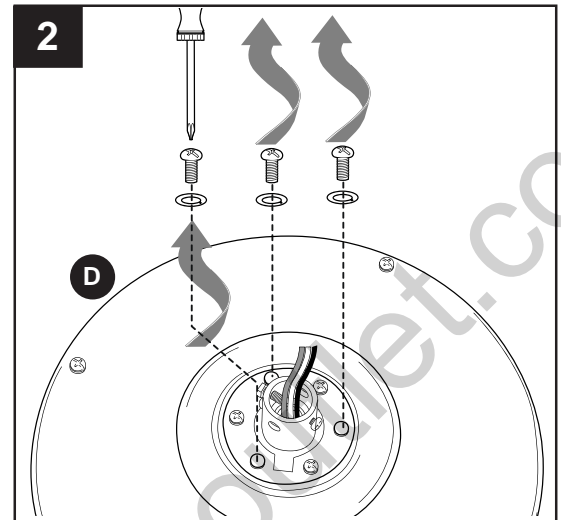
1. Retire cubierta de la base desde la parte inferior de la base (B).

NOTA: Es posible que sea necesario usar el extremo del mango de un destornillador (no se incluye) para retirar la cubierta de la base golpeándola desde el *interior* de la base (B).

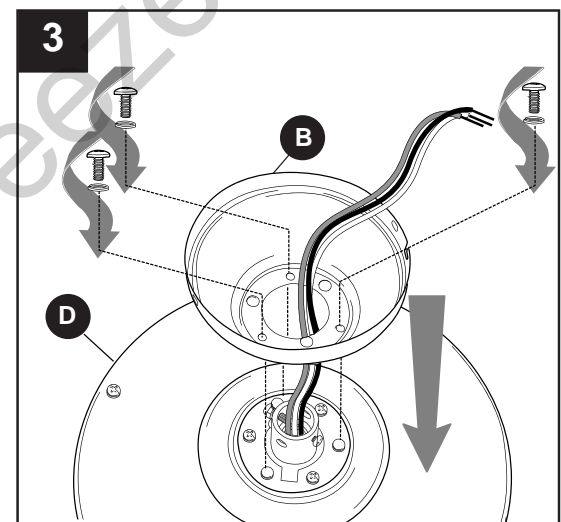
***Consejo útil:** El estilo de montaje cerrado es más adecuado para los techos de menos de 2,44 m de alto. La varilla (A), la bola para colgar, la cubierta de la horquilla (F) y la cubierta de la base no se utilizan en este tipo de instalación.



2. Retire todos los otros tornillos y las arandelas de seguridad de la parte superior de la carcasa del motor (D).

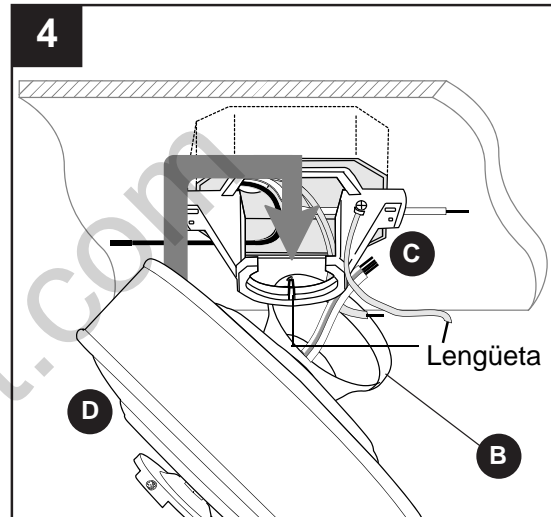


3. Jale de los cables a través del orificio en el centro de la base (B), fije la base (B) a la carcasa del motor (D) con los tres tornillos y las tres arandelas de seguridad que retiro anteriormente.



ESTILO DE MONTAJE CERRADO DEL VENTILADOR

4. Temporalmente cuelgue la carcasa del motor (D) en la lengüeta de el soporte de montaje (C) usando uno de los orificios *sin ranura* de la base (B).



CABLEADO

⚠ ADVERTENCIA: Para reducir el riesgo de incendios, descargas eléctricas o lesiones personales, los conectores de cables proporcionados con este ventilador están diseñados para soportar solo un cable de la casa de calibre 12 y dos cables conductores del ventilador. Si el conductor de la casa es de un calibre superior a 12 o hay más de un conductor de la casa para conectar a los cables conductores del ventilador correspondientes, consulte a un electricista cuál es el tamaño adecuado de los conectores de cables que debe utilizar.

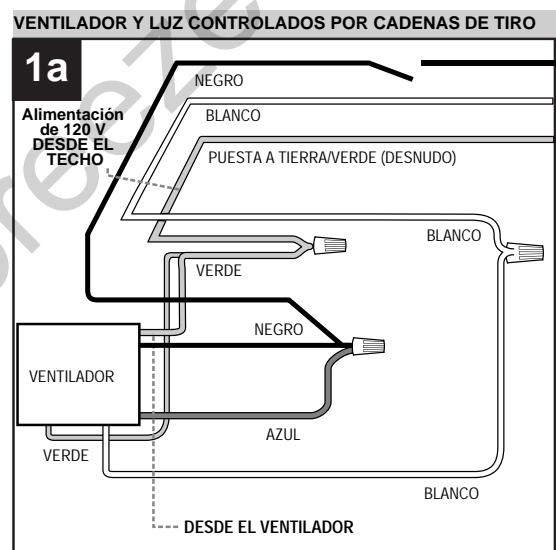
⚠ PRECAUCIÓN: Asegúrese de que la caja de salida tenga la debida puesta a tierra y de que haya un conductor (verde o desnudo) de puesta a tierra presente.

⚠ ADVERTENCIA: Si los cables de la casa no tienen los mismos colores que se mencionan en los siguientes pasos, deténgase de inmediato. Se recomienda que un electricista profesional determine el cableado adecuado.

NOTA: Este ventilador es adaptable para control remoto (el control remoto no se incluye).

1. Escoja el diagrama de cableado (Fig. 1a, Fig. 1b o Fig. 1c) que se ajuste a su situación y realice las conexiones del cableado adecuadas como se indica a continuación: (**NOTA:** Para cada conexión de cables a continuación, utilice uno de los conectores de cables (CC) provistos, asegurándose de atornillar el conector de cable (CC) en dirección de las manecillas del reloj).

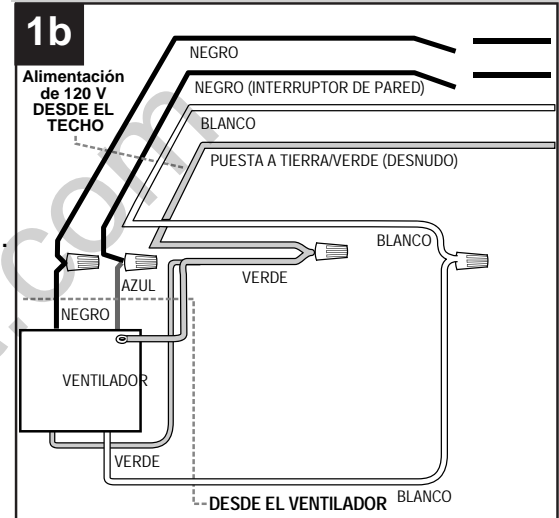
1a. VENTILADOR Y LUZ CONTROLADOS POR CADENAS DE TIRO: Conecte los conductores NEGRO y AZUL del ventilador al conductor NEGRO del techo. Conecte el conductor BLANCO del ventilador al conductor BLANCO del techo. Conecte el conductor VERDE del ventilador (en el soporte de montaje (C) y la varilla (A)) al conductor DESNUDO/VERDE del techo.



CABLEADO

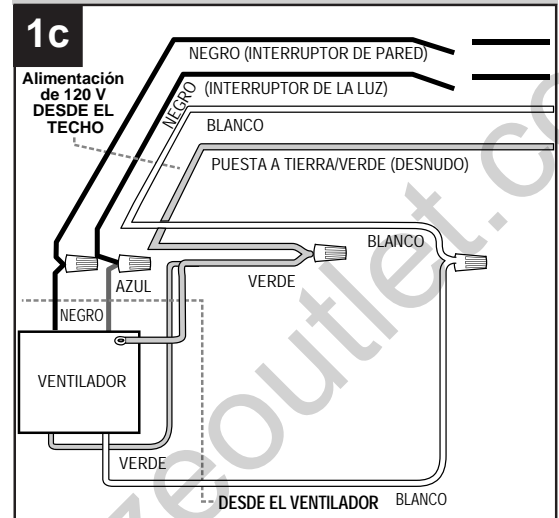
1b. VENTILADOR CONTROLADO POR CADENA DE TIRO Y LUZ CONTROLADA POR INTERRUPTOR DE PARED: Si desea controlar la luz del ventilador con un interruptor de pared separado, conecte el conductor NEGRO del ventilador con el conductor NEGRO del techo. Conecte el conductor AZUL del ventilador al conductor NEGRO (o ROJO) del interruptor de pared independiente para la luz. Conecte el conductor BLANCO del ventilador al conductor BLANCO del techo. Conecte el conductor VERDE del ventilador (en el soporte de montaje (C) y la varilla (A)) al conductor DESNUDO/VERDE del techo.

VENTILADOR CONTROLADO POR CADENA DE TIRO Y LUZ CONTROLADA POR INTERRUPTOR DE PARED



1c. VENTILADOR Y LUZ CONTROLADOS POR DOS INTERRUPTORES DE PARED: Si desea controlar el ventilador y la luz con interruptores de pared separados, conecte el conductor NEGRO del ventilador al conductor NEGRO del interruptor de pared independiente para el ventilador. Conecte el conductor AZUL del ventilador al conductor NEGRO (o ROJO) del otro interruptor de pared para la luz. Conecte el conductor BLANCO del ventilador al conductor BLANCO del techo. Conecte y una el conductor VERDE del ventilador (en el soporte de montaje (C) y la varilla (A)) al conductor DESNUDO/VERDE del techo.

VENTILADOR Y LUZ CONTROLADOS POR DOS INTERRUPTORES DE PARED

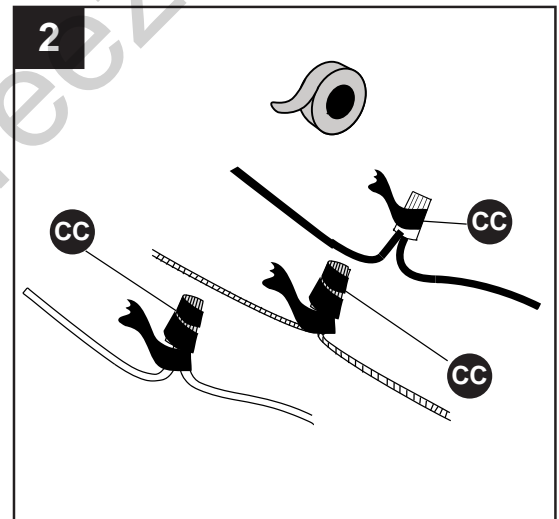


NOTA: El conductor NEGRO es el que proporciona alimentación al ventilador. El conductor AZUL es el que proporciona alimentación al kit de iluminación. El conductor BLANCO es el conductor común para el ventilador y el kit de iluminación. El conductor DESNUDO/VERDE es la puesta a tierra.

- Cubra con cinta aislante (no se incluye) cada conector de cables (CC) individual hacia abajo del cable.

⚠ ADVERTENCIA: Asegúrese de que no haya conductores desnudos ni filamentos de conductores visibles después de hacer la conexión. Coloque las conexiones VERDES y BLANCAS en el lado opuesto de las conexiones NEGRAS y AZULES de la caja (si corresponde).

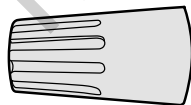
Gire los conductores empalmados o cubiertos con cinta hacia arriba y empuje suavemente los conductores y los conectores de cables (CC) hacia dentro de la caja de salida.



Aditamentos utilizados



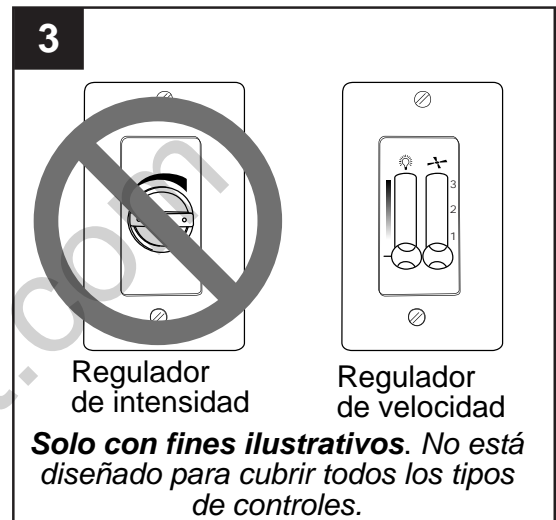
Conector de cables E3



x 4

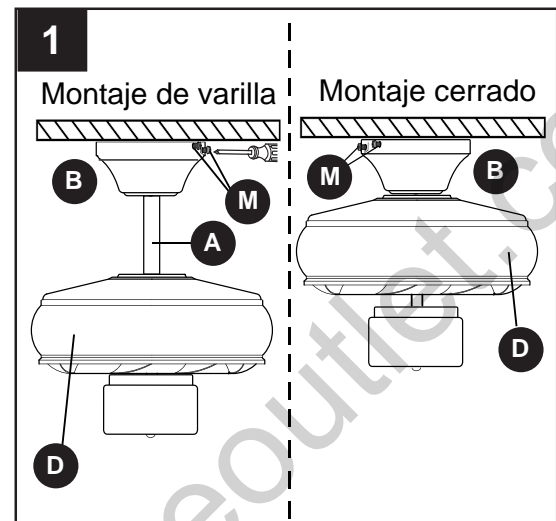
CABLEADO

3. **IMPORTANTE:** El uso de un regulador de intensidad de rango completo (no se incluye) para controlar la velocidad del ventilador provocará un zumbido intenso del ventilador. Para reducir el riesgo de incendios o descargas eléctricas, **NO** use un regulador de intensidad de rango completo para controlar la velocidad del ventilador.

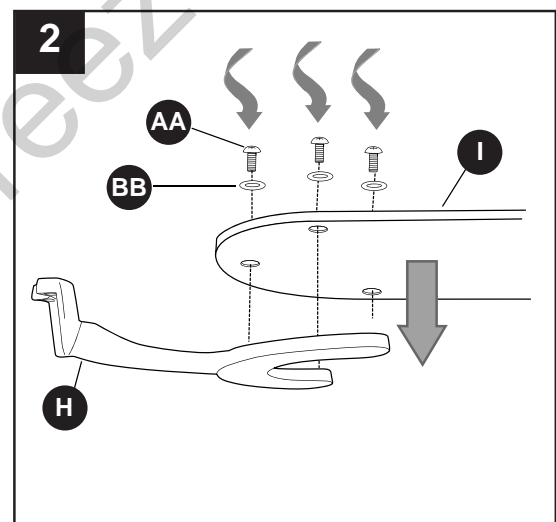


INSTALACIÓN FINAL



1. Levante temporalmente la base (B) hacia el soporte de montaje (C) para determinar cuáles son los dos tornillos de montaje de la base (M) que se alinean con los orificios ranurados en la base (B) y afloje parcialmente estos dos tornillos de montaje de la base (M). Retire los otros dos tornillos de montaje de la base (M). Luego, levante la base (B) hacia el soporte de montaje (C) nuevamente, alineando los orificios ranurados en la base (B) con los tornillos de montaje de la base aflojados (M) de el soporte de montaje (C). Gire la base (B) en dirección de las manecillas del reloj para fijarla. Vuelva a insertar los tornillos de montaje de la base (M) que retiró anteriormente, y apriete los tornillos firmemente.



2. Inserte parcialmente tres tornillos para aspa (AA) junto con tres arandelas para aspa de fibra (BB) para conectar un brazo del aspa (H) a un aspa (I). Luego, apriete cada uno de los tornillos para las aspas (AA), comenzando por el que está en el centro. Repita el procedimiento con las aspas restantes (I).



Aditamentos utilizados

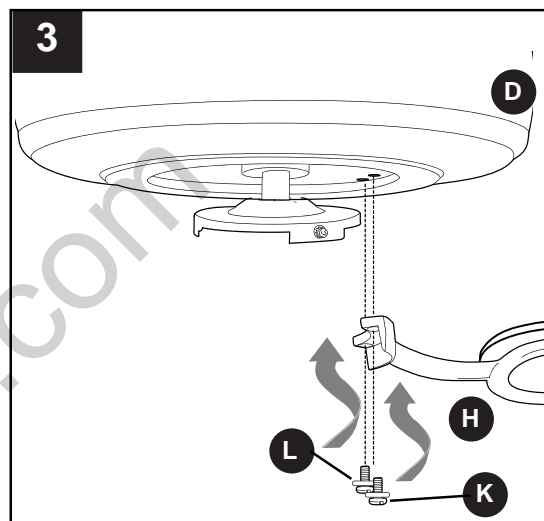
- | | | |
|--------------------------------------|---|------|
| AA Tornillo del aspa |  | x 15 |
| BB Arandela del aspa de fibra |  | x 15 |



INSTALACIÓN FINAL

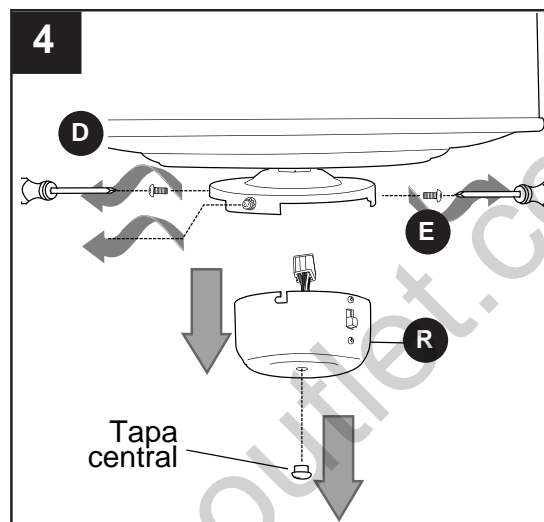
3. Localice los tornillos del motor (K) y las arandelas de seguridad (L) que retiró anteriormente (Paso 5, página 28).

Inserte dos tornillos para el motor (K) junto con arandelas de seguridad (L) a través de un brazo de aspa (H) para fijar el brazo del aspa (H) al motor (D). Apriete los tornillos del motor (K). Repita el procedimiento con los brazos del aspa restantes (H), procurando asegurar completamente cada brazo del aspa (H) antes de proceder con el siguiente.



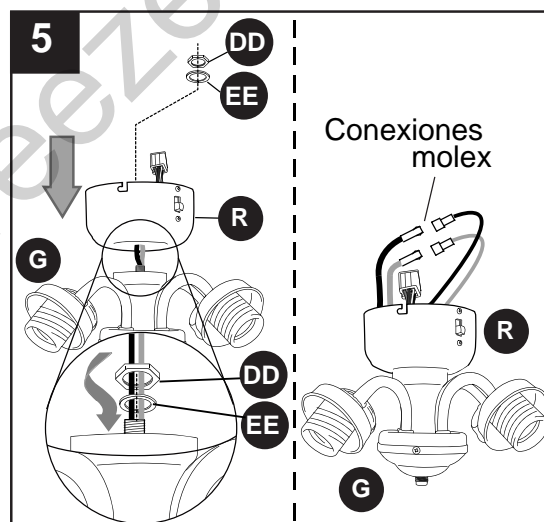
4. **Si desea utilizar el ventilador CON el kit de iluminación**, retire tres tornillos de la placa de soporte (E) de la placa de soporte en la parte inferior del motor (D). Perfore la cubierta central de la carcasa del interruptor (R) con un destornillador. Continúe con el Paso 5.

Si NO desea usar el kit de iluminación, proceda al Paso 10, página 37.

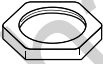



5. Pase los cables con cuidado (uno a la vez) desde el soporte del kit de iluminación (G) por el orificio central de la carcasa del interruptor (R). Deslice la carcasa del interruptor por la varilla roscada en el soporte del kit de iluminación (G) seguido de la arandela de seguridad (EE) y la tuerca hexagonal (DD). Apriete la tuerca hexagonal (DD) sobre la arandela de seguridad (EE) para un calce ajustado.

Luego, conecte el conductor molex BLANCO del soporte del kit de iluminación (G) al conductor molex BLANCO de la carcasa del interruptor (R). Conecte el conductor molex NEGRO del soporte del kit de iluminación (G) al conductor molex AZUL de la carcasa del interruptor (R). Asegúrese de que las conexiones molex se ensamblen con firmeza.



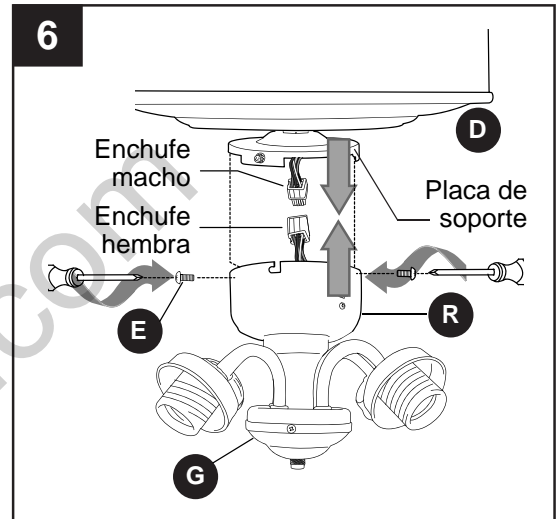
Aditamentos utilizados

DD Tuerca hexagonal		x 1
EE Arandela de seguridad		x 1

INSTALACIÓN FINAL

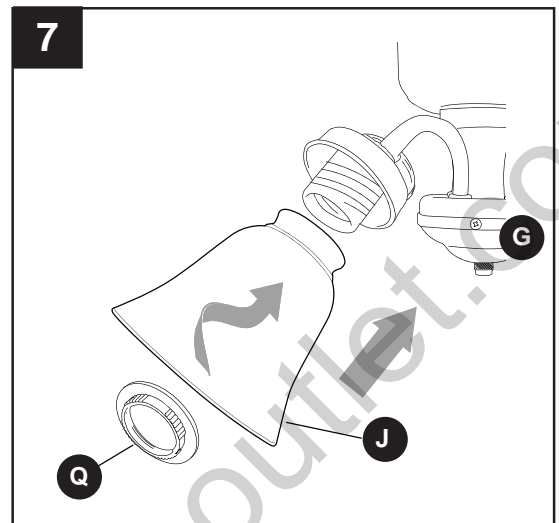
6. Conecte el enchufe macho de la carcasa del motor (D) al enchufe hembra de la carcasa del interruptor (R). Asegúrese que los enchufes estén firmemente conectados.

Alinee los orificios de la carcasa del interruptor (R) con los orificios de la placa de soporte. Vuelva a insertar los tornillos de la placa de soporte (E) retirados anteriormente (paso 4, página 35), luego apriete tornillos firmemente.



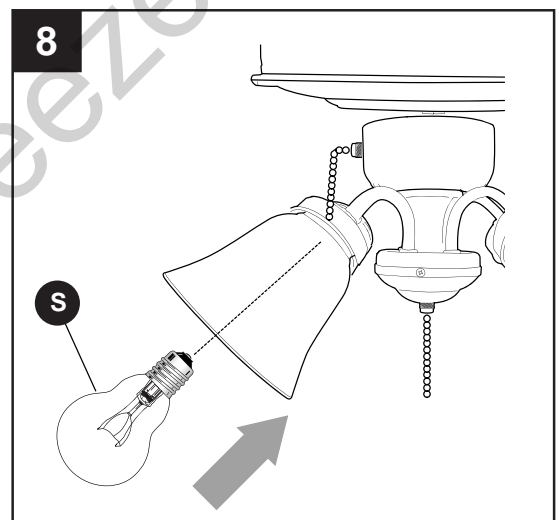
7. Retire los anillos del portalámpara (Q) de los portalámparas del soporte del kit de iluminación (G). Fije las pantallas de vidrio (J) a las portalámparas, asegurandolas con los anillos del portalámpara (Q).

PRECAUCIÓN: No apriete demasiado los anillos de los portalámparas (Q), ya que el vidrio podría agrietarse o quebrarse.



8. Instale las bombillas (S).

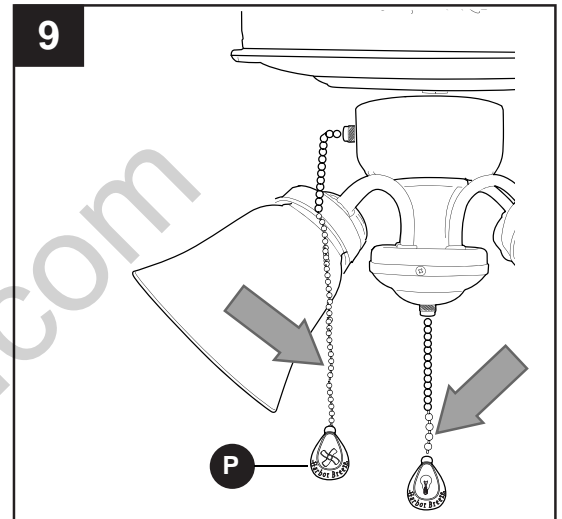
IMPORTANTE: Al reemplazar las bombillas, deje que estas y las pantallas de vidrio se enfríen antes de tocarlas.



INSTALACIÓN FINAL

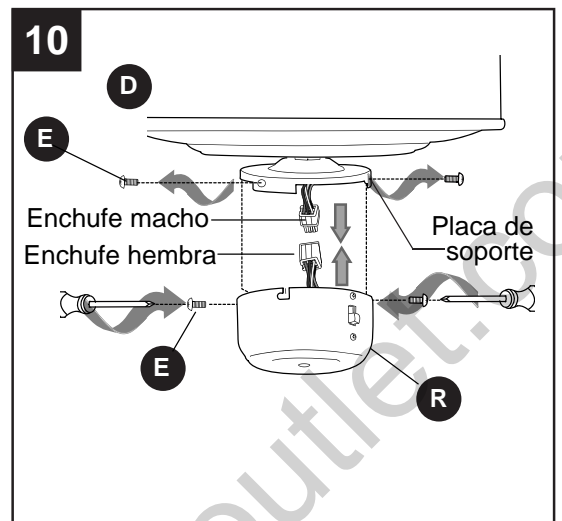
9. Fije las extensiones para la cadena de tiro (P) aplicables o las extensiones para las cadenas de tiro personalizadas (no se incluyen) a las cadenas de tiro del ventilador y la luz.

Ya ha terminado el ensamblado.



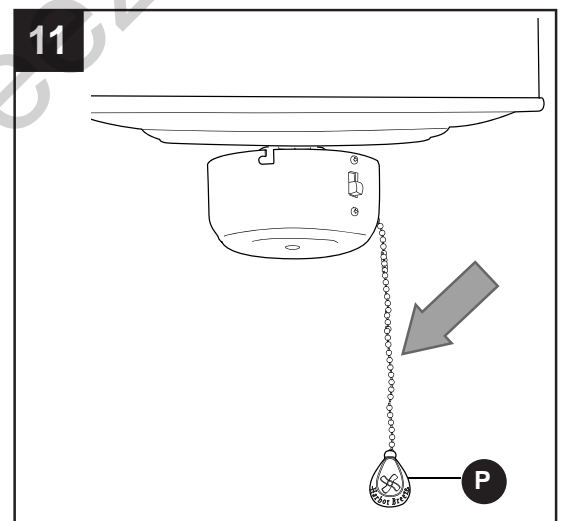
10. Para instalar el ventilador sin el kit de iluminación, quite los 3 tornillos de la placa de soporte (E) de la placa de soporte preensamblada al bastidor del motor (D). Luego, conecte el enchufe macho de la carcasa del motor (D) al enchufe hembra de la carcasa del interruptor (R), haciendo combinar los colores del enchufe macho con los del enchufe hembra para un ajuste correcto. Asegúrese de que los enchufes estén firmemente conectados. Vuelva a insertar los tornillos de la placa de soporte (E) y apriete todos los tornillos de forma segura.

⚠ ADVERTENCIA: RIESGO DE DESCARGA.
Los conectores molex dentro de la carcasa del interruptor (R) no se deben retirar.



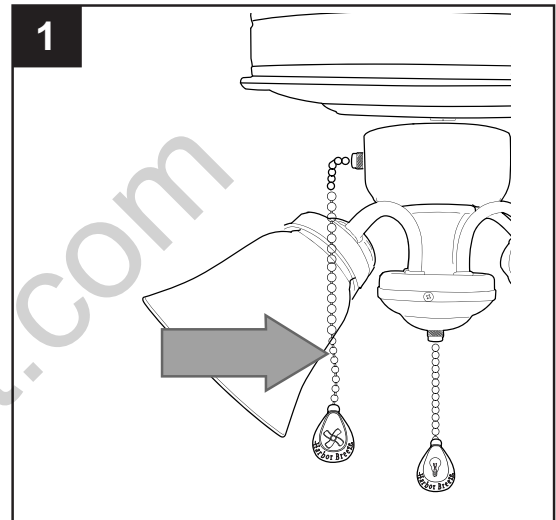
11. Fije la extensión para la cadena de tiro (P) aplicables o la extensión para las cadenas de tiro personalizadas (no se incluyen) a la cadena de tiro del ventilador.

Ya ha terminado el ensamblado.

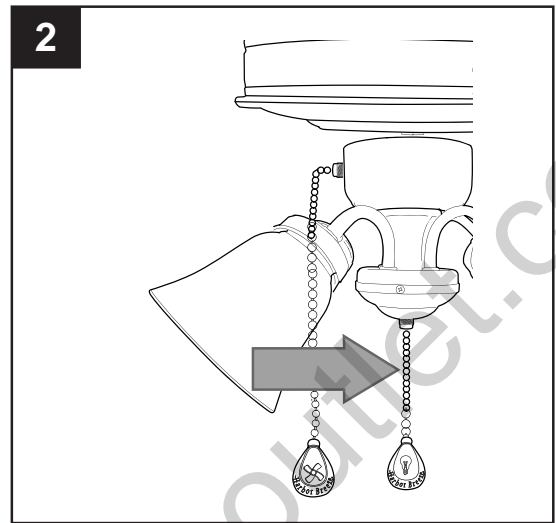


INSTRUCCIONES DE FUNCIONAMIENTO

1. La cadena de tiro ubicada en la carcasa del interruptor tiene cuatro posiciones para controlar la velocidad del **ventilador**. Jale una vez para la posición HIGH (ALTA); dos para la posición MEDIUM (MEDIA); tres para la posición LOW (BAJA); y cuatro para la posición OFF (APAGADO) que apaga el ventilador.

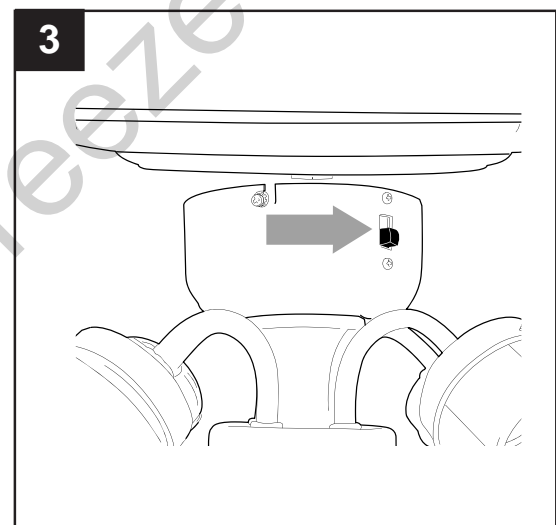


2. La cadena de tiro ubicada en la parte central se utiliza para ENCENDER o APAGAR las **luces** (si es posible).



3. Utilice el interruptor de reversa del ventilador, ubicado en la carcasa del interruptor, para optimizar el rendimiento de su ventilador según la estación del año. Un ventilador de techo le permitirá elevar la configuración de su termostato en verano y disminuirla en invierno, sin sentir una diferencia en su comodidad.

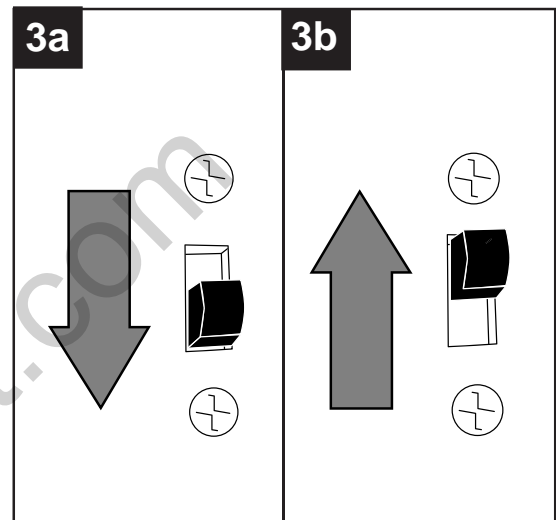
NOTA: Espere a que el ventilador se detenga antes de mover el interruptor de reversa.



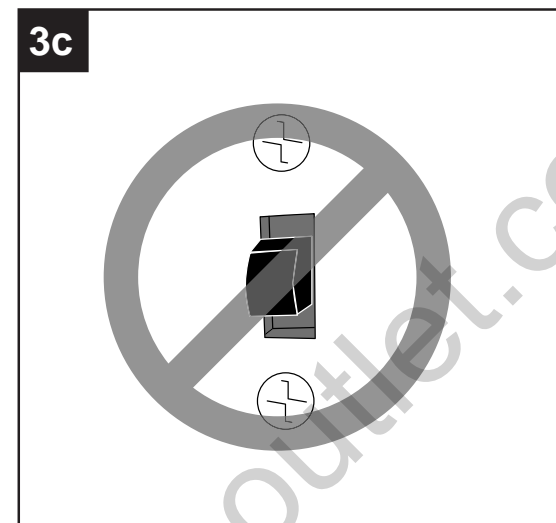
INSTRUCCIONES DE FUNCIONAMIENTO

3a. En climas más **cálidos**, la configuración del interruptor de reversa en la posición **DOWN** (Hacia abajo) creará un flujo de aire descendente que generará un efecto de viento refrescante.

3b. En climas más **fríos**, la configuración del interruptor de reversa en la posición **UP** (Hacia arriba) creará un flujo de aire ascendente que puede ayudar a mover el aire caliente estancado fuera del área del techo.



3c. **IMPORTANTE:** El interruptor de reversa se debe configurar ya sea **completamente UP** (Hacia arriba) o **completamente DOWN** (Hacia abajo) para que funcione el ventilador. Si el interruptor de reversa se configura en la posición del *medio*, el ventilador no funcionará.



CUIDADO Y MANTENIMIENTO

Al menos dos veces al año, baje la base (B) para revisar el ensamble de la varilla (A) y luego apriete todos los tornillos en el ventilador. Limpie la carcasa del motor (D) solo con un cepillo suave o un paño que no produzca pelusas para evitar rayar el acabado. Limpie las aspas (I) con un paño que no produzca pelusas. De vez en cuando puede aplicar una fina capa de cera para muebles en las aspas de madera para darles más protección.

IMPORTANTE: Antes de realizar cualquier trabajo de mantenimiento, desconecte el suministro de electricidad. No utilice agua ni un paño húmedo para limpiar el ventilador de techo.

Reemplazo de las bombillas: Use solo bombillas de un máximo de 40 vatios de base candelabro o bombillas CFL de 11 vatios como máximo.

SOLUCIÓN DE PROBLEMAS

⚠ ADVERTENCIA: Antes de comenzar cualquier trabajo, desconecte el suministro de electricidad para evitar descargas eléctricas.

PROBLEMA	CAUSA POSIBLE	ACCIÓN CORRECTIVA
El ventilador no se mueve.	<ol style="list-style-type: none"> 1. El interruptor de reversa no está activado. 2. No hay alimentación eléctrica o hay un fusible quemado. 3. La conexión de los cables es incorrecta. 4. Los enchufes no están conectados apropiadamente. 	<ol style="list-style-type: none"> 1. Mueva firmemente el interruptor hacia la izquierda o hacia la derecha. 2. Conecte la alimentación eléctrica o revise el fusible. 3. Desconecte la alimentación. Afloje la base y revise todas las conexiones. 4. Verifique que los enchufes macho y hembra en la carcasa del interruptor estén bien conectados de acuerdo con las instrucciones de la página 36.
El funcionamiento es ruidoso.	<ol style="list-style-type: none"> 1. Las aspas están sueltas. 2. Hay un aspa partida. 3. Se está utilizando un regulador de intensidad de rango completo. 4. El ventilador es nuevo. 	<ol style="list-style-type: none"> 1. Apriete todos los tornillos de las aspas. 2. Reemplace la hoja. 3. Reemplace por un dispositivo de control de velocidad autorizado. 4. Permita que el ventilador tenga un período de asentamiento de un par de días, especialmente al encender el ventilador a velocidades media y alta.
Hay un tambaleo excesivo.	<ol style="list-style-type: none"> 1. Las aspas están sueltas. 2. Las aspas no están equilibradas. 3. El ventilador no está bien montado. 4. El ventilador está demasiado cerca del techo de bóveda. 5. Los tornillos de fijación en la horquilla de la carcasa del motor no están bien apretados. 6. El tornillo de fijación en la bola para colgar no está bien apretado. 	<ol style="list-style-type: none"> 1. Apriete todos los tornillos de las aspas. 2. Cambie un aspa con otra del lado opuesto o use el kit de equilibrio (T). 3. Desconecte la alimentación. Afloje cuidadosamente la base y verifique que el soporte de montaje esté sujeto con firmeza. 4. Utilice una varilla más larga o mueva el ventilador a otra ubicación. 5. Apriete firmemente los tornillos de fijación de la horquilla. 6. Afloje y baje cuidadosamente la base y verifique que el tornillo de fijación de la bola para colgar esté bien apretado.
El ventilador funciona pero la luz no.	<ol style="list-style-type: none"> 1. Las bombillas no están bien instaladas. 2. Los conductores de la caja de salida no están bien conectados. 3. El interruptor de pared del ventilador está apagado. 4. El kit de iluminación cuenta con bombillas de más de los 190 vatios permitidos, lo que provoca que el dispositivo de control de vataje interrumpa el flujo de electricidad hacia el kit de iluminación. 5. Los tornillos de fijación en la horquilla de la carcasa del motor no están bien apretados. 6. El tornillo de fijación en la bola para colgar no está bien apretado. 	<ol style="list-style-type: none"> 1. Vuelva a instalar las bombillas. 2. Revise los conductores de la caja de salida y, si es necesario, vuelva a conectarlos de acuerdo con las instrucciones de las páginas 32 y 33. 3. Asegúrese de que el interruptor de pared del ventilador esté en la posición de encendido. 4. Kit de iluminación de la lámpara con bombillas que no suman más de 190 vatios. 5. Apriete firmemente los tornillos de fijación de la horquilla. 6. Afloje y baje cuidadosamente la base y verifique que el tornillo de fijación de la bola para colgar esté bien apretado.

NOTA: Una pequeña cantidad de "tambaleo" es normal y no se debe considerar como un defecto.

GARANTÍA LIMITADA DE POR VIDA

El distribuidor garantiza que este ventilador no presenta defectos en la mano de obra ni en los materiales presentes al momento del transporte desde la fábrica durante un período limitado de por vida a partir de la fecha de compra. Esta garantía es válida solo para el comprador original. El distribuidor acepta reparar cualquier defecto sin cargo o, según nuestro criterio, reemplazar el ventilador de techo por un modelo comparable o superior.

Para obtener el servicio de garantía, presente una copia del recibo de venta como comprobante de la compra. Todos los costos de extracción y reinstalación son responsabilidad absoluta del comprador. Cualquier daño al ventilador de techo producido por accidente, uso indebido o instalación incorrecta, o por el uso de piezas no producidas por el fabricante de este ventilador o accesorios de fijación que no son del fabricante de este ventilador, será responsabilidad del comprador. El distribuidor no asume ningún tipo de responsabilidad por la instalación del ventilador durante la garantía limitada de por vida. Cualquier servicio realizado por una persona no autorizada invalidará la garantía.

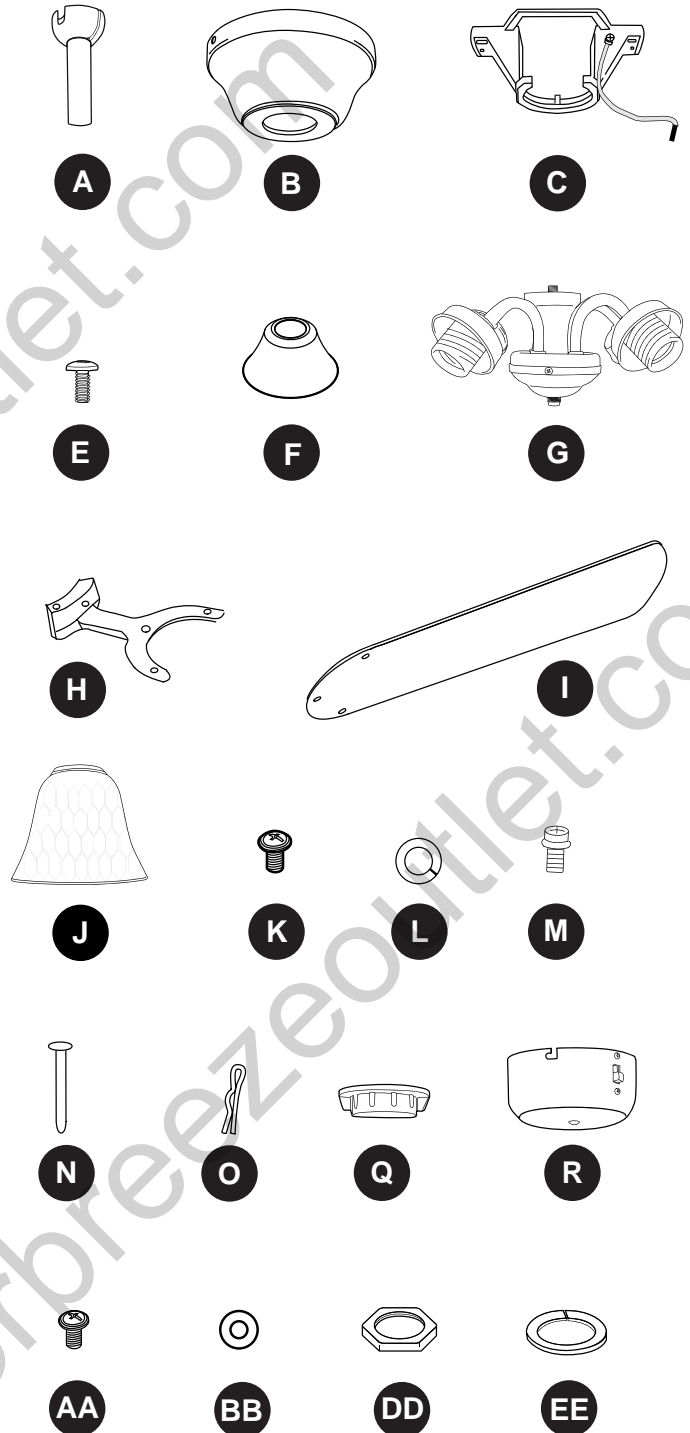
Debido a las cambiantes condiciones climáticas, esta garantía no cubre cambios en el acabado de latón, óxido, picaduras, deslustre, corrosión o descascarado. Los ventiladores con acabado de latón mantienen su belleza cuando se les protege de las cambiantes condiciones climáticas. La garantía no cubre los elementos de vidrio incluidos con este ventilador.

Cualquier reemplazo de piezas defectuosas para el ventilador de techo debe informarse dentro del primer año a partir de la fecha de compra. Para conocer el saldo de la garantía, llame a nuestro Departamento de Servicio al Cliente (al **1-800-643-0067**) para obtener la autorización para la devolución y las instrucciones de envío, de modo que podamos reparar o reemplazar el ventilador de techo. Un ventilador o piezas devueltas con un embalaje incorrecto son de responsabilidad única del comprador. No existe otro tipo de garantía explícita. El distribuidor rechaza cualquiera y todas las garantías implícitas. La duración de cualquier garantía implícita que no pueda rechazarse se limita al periodo de la garantía limitada de por vida especificada en nuestra garantía. El distribuidor no se hará responsable por daños accidentales, resultantes ni especiales que surjan en relación con el uso o el funcionamiento del producto, excepto que la ley indique lo contrario. Esta garantía le otorga derechos legales específicos, pero podría tener también otros derechos que varían según el estado. Esta garantía sustituye cualquier garantía previa.

LISTA DE PIEZAS DE REPUESTO

Para obtener piezas de repuesto, llame a nuestro Departamento de Servicio al Cliente al **1-800-643-0067**, de lunes a jueves de 8 a.m. a 6 p.m., y los viernes de 8 a.m. a 5 p.m., hora estándar del Este.

PIEZA	DESCRIPCIÓN	PIEZA #
A	Varilla	125519-A
B	Base	125519-B
C	Soporte de montaje	125519-C
E	Tornillo para la placa de soporte	125519-E
F	Cubierta de la horquilla	125519-F
G	Soporte del kit de iluminación	125519-G
H	Brazo del aspa	125519-H
I	Aspa	125519-I
J	Pantalla de vidrio	125519-J
K	Tornillo del motor	125519-K
L	Arandela de seguridad	125519-L
M	Tornillo de montaje de la base	125519-M
N	Pasador	125519-N
O	Sujetador	125519-O
Q	Anillo del portalámpara	125519-Q
R	Carcasa del interruptor	125519-R
AA	Tornillo para aspa	125519-AA
BB	Arandela para aspa de fibra	125519-BB
DD	Tuerca hexagonal	125519-DD
EE	Arandela de seguridad	125519-EE



Impreso en China

Harbor Breeze® es una marca registrada de LF, LLC. Todos los derechos reservados.