



ITEM #0451808

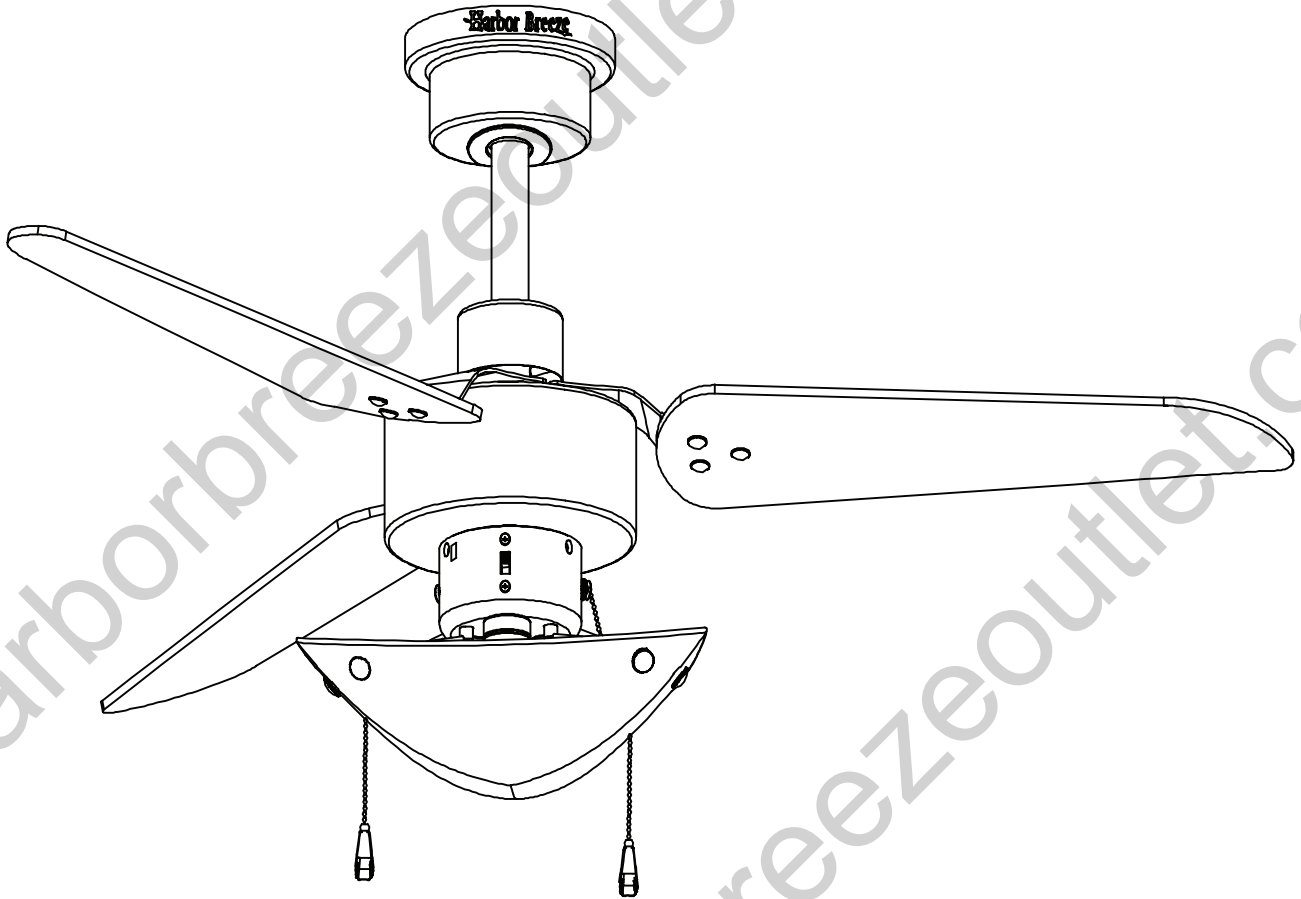
IMPACT CEILING FAN

MODEL #00966

UL MODEL #IPT48

Harbor Breeze® is a registered trademark of LF, LLC. All rights reserved.

Español p. 16



ATTACH YOUR RECEIPT HERE

Serial Number _____ Purchase Date _____



Questions, problems, missing parts? Before returning to your retailer, call our customer service department at 1-800-643-0067, 8 a.m. - 6 p.m., EST, Monday - Thursday, 8 a.m. - 5 p.m., EST, Friday.



TABLE OF CONTENTS

Safety Information	3
Package Contents	4
Hardware Contents	5
Preparation	5
Assembly instructions	6
Operating Instructions	13
Care and Maintenance	14
Troubleshooting	14
Warranty	15
Replacement Parts List	15

! SAFETY INFORMATION

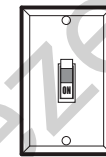
READ AND SAVE THESE INSTRUCTIONS

Please read and understand this entire manual before attempting to assemble, operate, or install the product.

- When using an existing outlet box, be sure the box is securely attached to the building structure and can support the full weight of the fan, so as to avoid potential serious injury or death.
- All wiring must be in accordance with the National Electrical Code “ANSI/NFPA 70-1999” and local electrical codes. Electrical installation should be performed by a qualified licensed electrician.
- DO NOT use bulbs with a wattage greater than the maximum value stated on the fixture and in this manual. Using a higher wattage bulb than specified will increase fixture temperature and cause risk of fire.
- Disconnect the electrical supply circuit to the fan before installing light kit.
- Electrical diagrams are for reference only.
- The net weight of this fan including the light kit is: 15.4 lbs.

! WARNING

- **ELECTRIC SHOCK HAZARD** - To reduce the risk of electric shock, do not use this fan with any solid-state speed control device.
- **ELECTRIC SHOCK HAZARD** - To reduce the risk of electric shock, make sure electricity has been turned off at the circuit breaker or fuse box before beginning installation.
- **PERSONAL INJURY HAZARD** - To reduce the risk of injury to persons, install fan so that the blade is at least 7 ft. above the floor.
- **ELECTRIC SHOCK HAZARD** - Do not install this fan with variable speed wall control or wall-mounted dimmer switch. It will permanently damage the fan’s remote control receiver and cause the fan’s functions to fail.



ON / OFF switch



NO Variable speed wall control



NO Dimmer switch

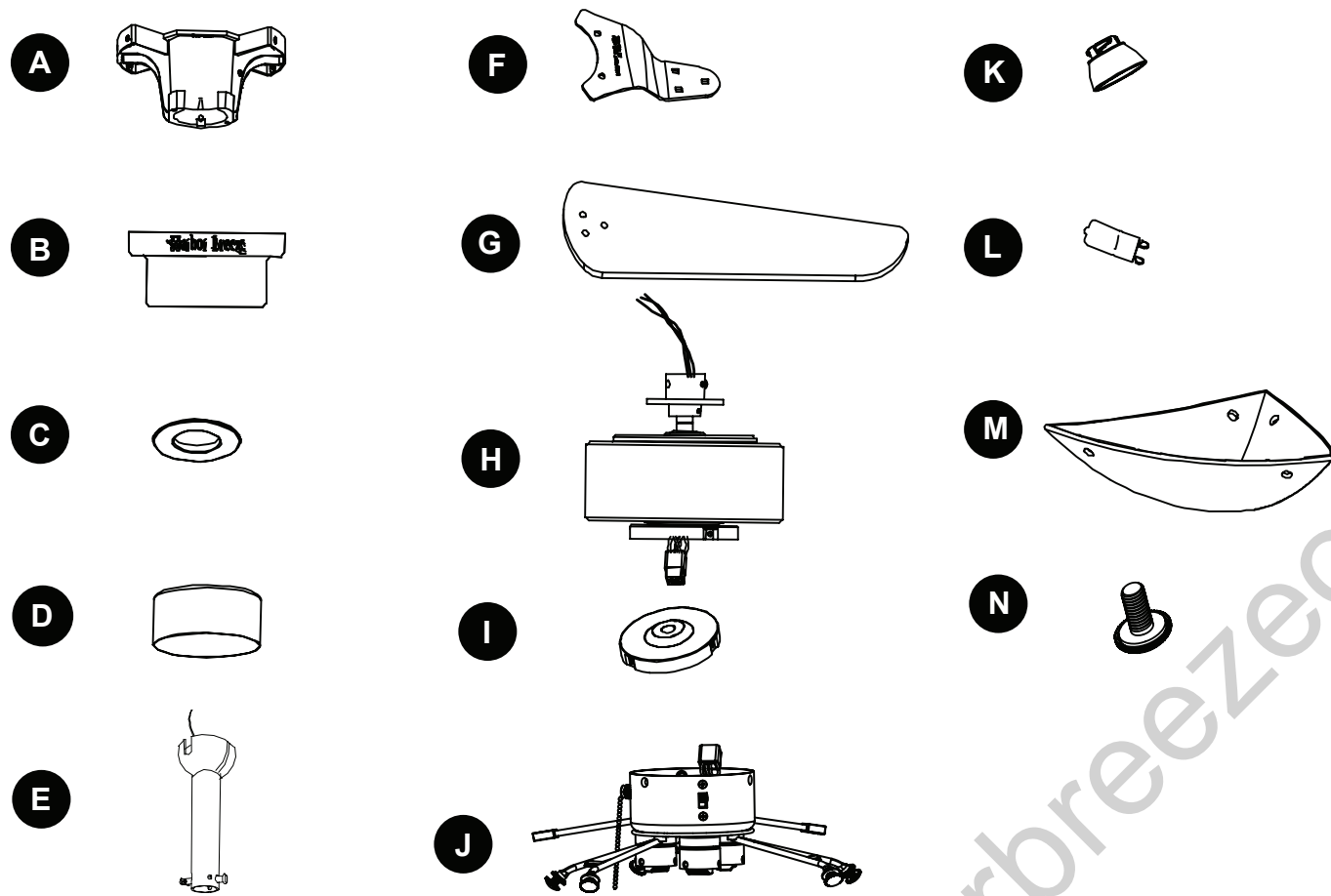
- **FIRE, ELECTRIC SHOCK OR PERSONAL INJURY HAZARD** - To reduce the risk of fire, electric shock, or personal injury, mount to outlet box marked “ACCEPTABLE FOR FAN SUPPORT OF 35.1 lbs or less” and use mounting screws provided with the outlet box. Most outlet boxes commonly used for the support of lighting fixtures are not acceptable for fan support and may need to be replaced. Consult a qualified electrician if in doubt.

CAUTION

- **PERSONAL INJURY HAZARD** - To reduce the risk of personal injury, do not bend the brackets when installing the brackets, balancing the blades, or cleaning the fan. DO NOT inset foreign objects in between rotating fan blades.

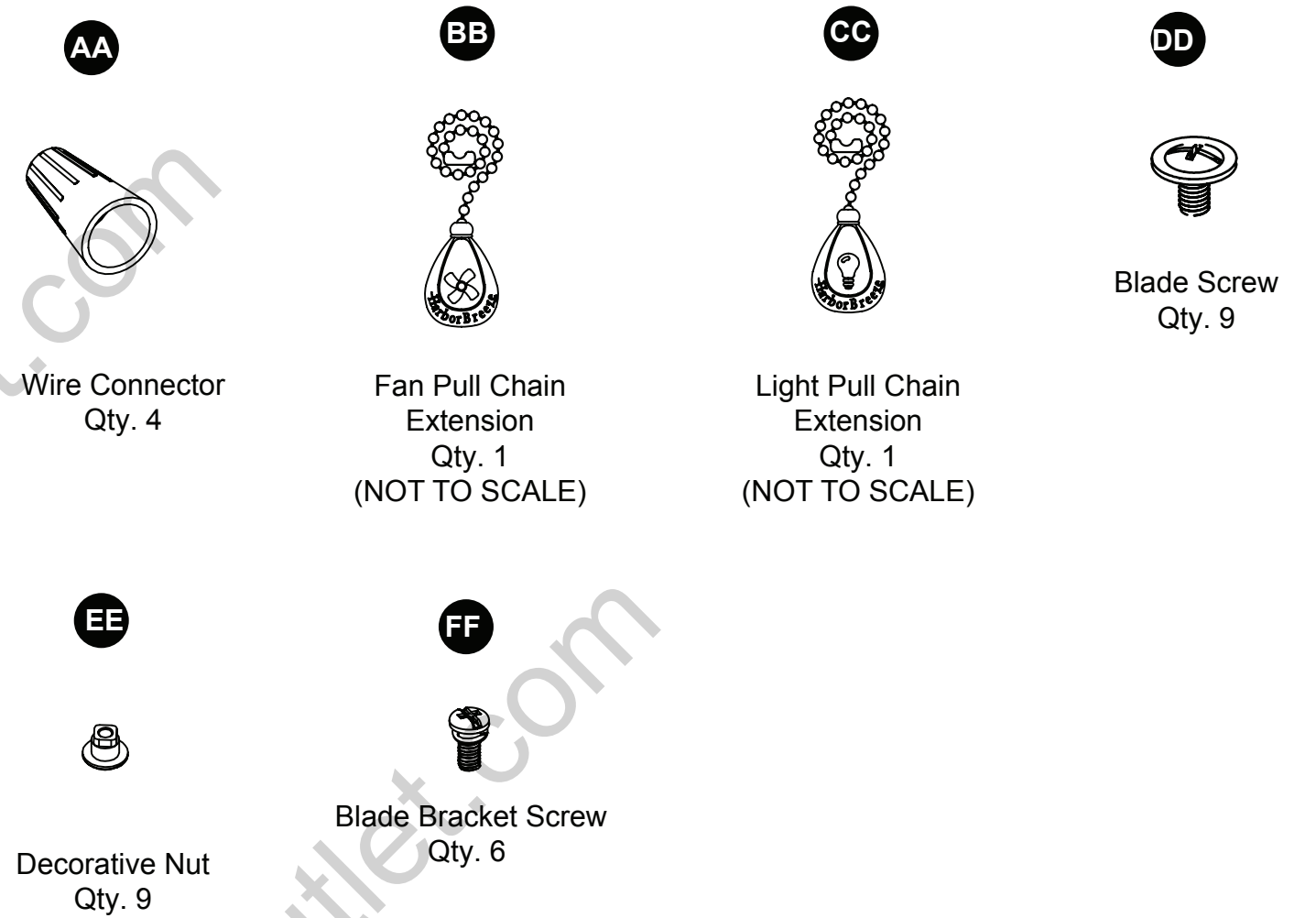


PACKAGE CONTENTS



PART	DESCRIPTION	QUANTITY
A	Mounting Bracket	1
B	Canopy	1
C	Canopy Cover	1
D	Yoke Cover	1
E	Downrod	1
F	Blade Bracket	3
G	Blade	3
H	Motor Housing Assembly	1
I	Switch Housing Cover (preassembled to Motor Housing Assembly (H))	1
J	Light Kit Assembly	1
K	Bulb Cover	3
L	Bulb	3
M	Glass Bowl	1
N	Finial (preassembled to Light Kit Assembly (J))	6

HARDWARE CONTENTS (shown actual size)



PREPARATION

Before beginning assembly of product, make sure all parts are present. Compare parts with package contents list and hardware contents list. If any part is missing or damaged, do not attempt to assemble the product.

Estimated Assembly Time: 45 minutes

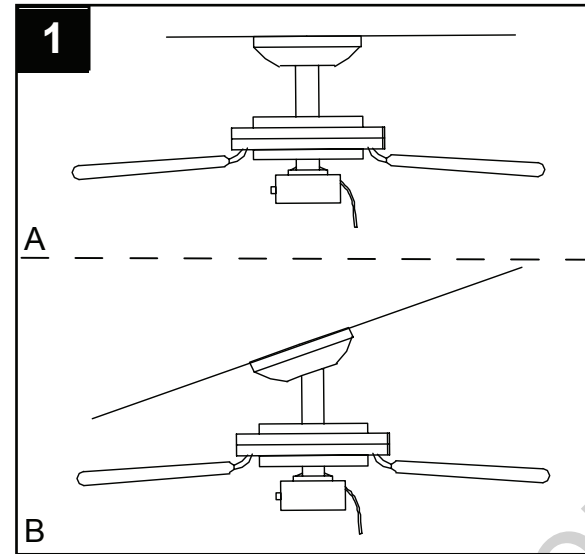
Tools Required for Assembly (not included): Phillips screwdriver, step ladder, electrical tape, pliers, wire cutters, wire strippers.



ASSEMBLY INSTRUCTIONS

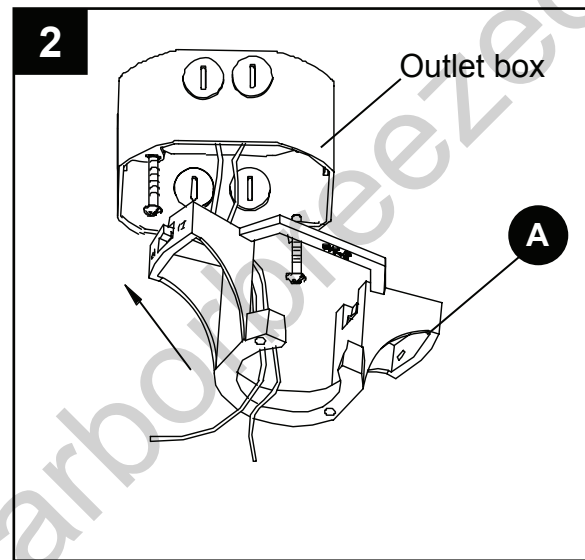
1. Determine mounting method.
A-Downrod Mount (standard or angled ceiling)
B-Angle Mount (standard ceiling only)

IMPORTANT: If angle mounting, check to make sure the ceiling angle is not steeper than 20°.

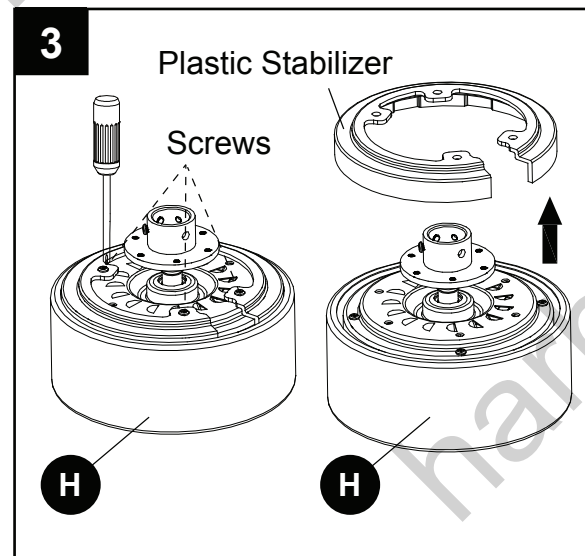


2. Install mounting bracket (A) to outlet box (not included) by sliding the mounting bracket (A) over the two outlet box screws (not included). Securely tighten the two outlet box screws.

IMPORTANT: If angle mounting, make sure open end of mounting bracket (A) is installed facing the ceiling.



3. Remove and discard the four screws securing the plastic stabilizer on top of the motor housing. Remove and discard the plastic stabilizer.

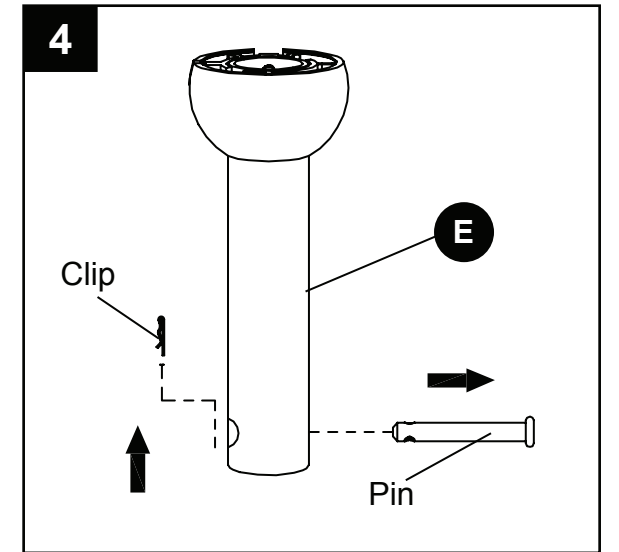


Harbor Breeze

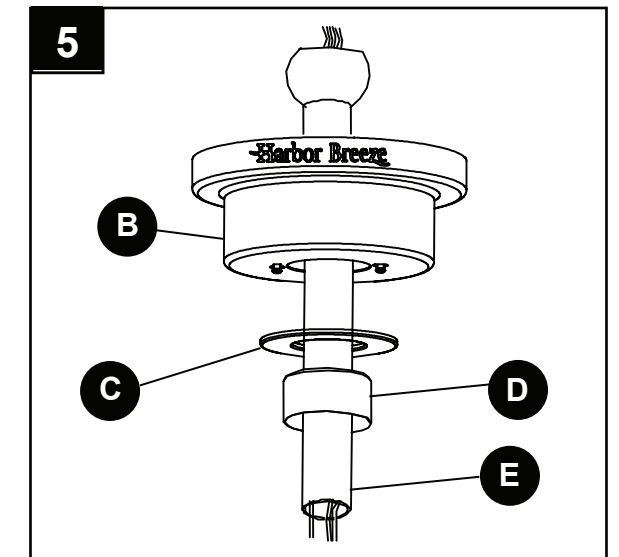
Lowes.com/harborbreeze

ASSEMBLY INSTRUCTIONS

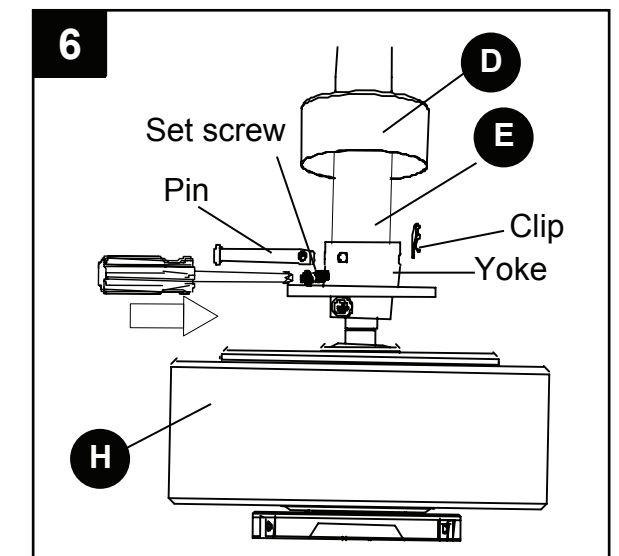
4. Remove preassembled pin and clip from downrod (E). Save for later use.



5. Insert downrod (E) through canopy (B), canopy cover (C) and yoke cover (D). Thread wires from motor housing assembly (G) through downrod (E).



6. Loosen preassembled set screws from the yoke on motor housing assembly (H). Slip downrod (E) into yoke, aligning holes on both parts. Insert previously removed pin through holes on yoke and downrod (E), then insert previously removed clip into the pin until it snaps into place.

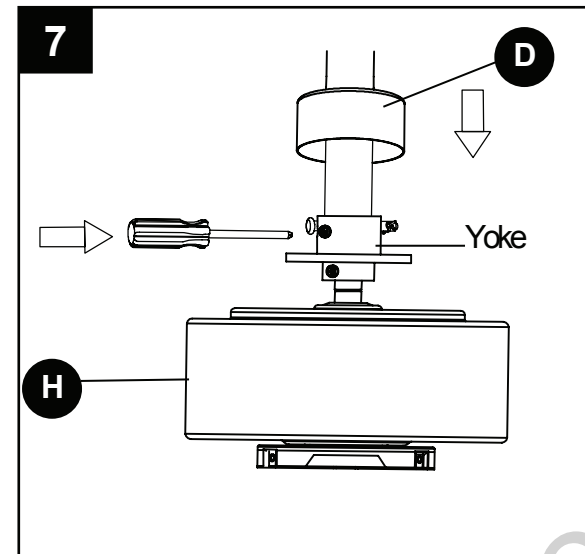


Harbor Breeze

Lowes.com/harborbreeze

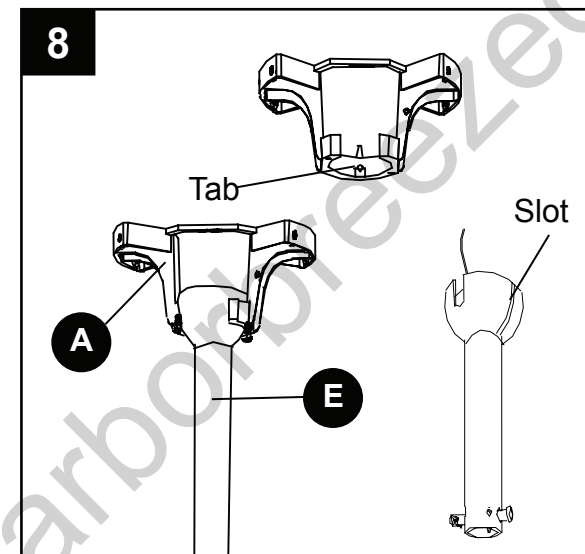
ASSEMBLY INSTRUCTIONS

7. Re-tighten set screws in yoke, then slide the yoke cover (D) down over the motor housing assembly (H).



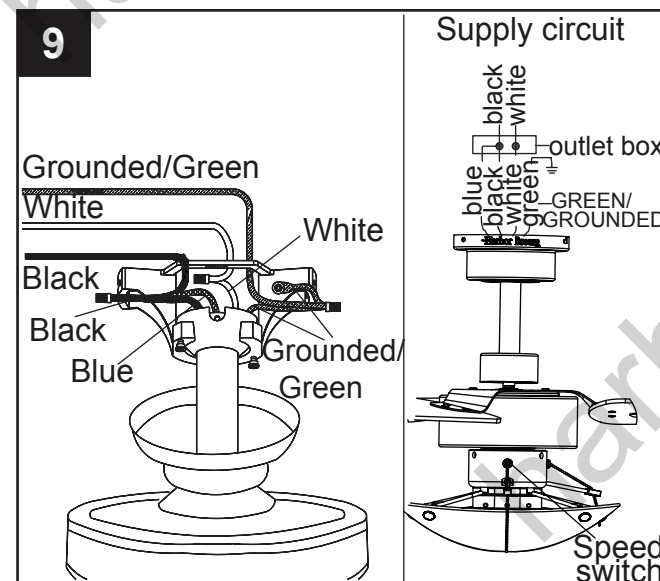
8. Install hanger ball on the top of downrod (E) into mounting bracket (A) opening. Rotate fan until slot on hanger ball engages the tab on the mounting bracket (A).

! DANGER: Be careful when aligning the tab to the slot. If not fully engaged, the fan could fall, which could result in serious injury or death.



9. Connect **BLACK** and **BLUE** wires from fan to **BLACK** wire from ceiling. Connect **WHITE** wire from fan to **WHITE** wire from ceiling. Connect all **GROUNDING (GREEN)** wires from fan to **GREEN** wire from ceiling.

Note: **BLACK** wire is hot power for fan. **BLUE** wire is hot power for light kit. **WHITE** wire is common for fan and light kit. **GREEN** wire is grounded wire. If house wires are different colors than referred to above, stop immediately and consult a professional electrician to determine proper wiring.



ASSEMBLY INSTRUCTIONS

10. Twist wire ends together and screw wire connectors (AA) on in a clockwise direction. Tape wire connectors (AA) and wires together with electrical tape (not included).

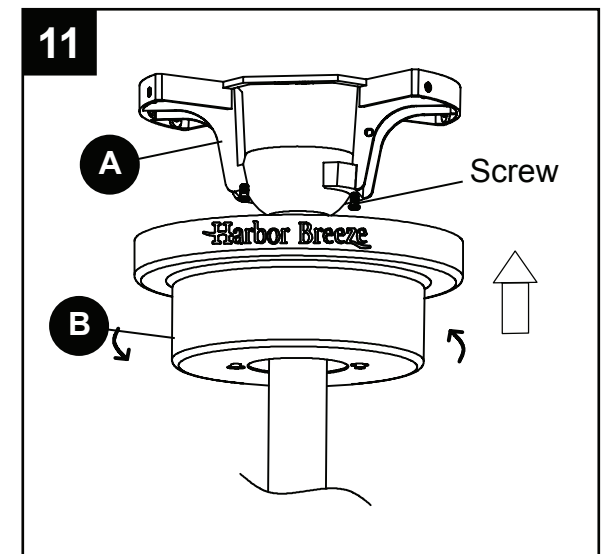
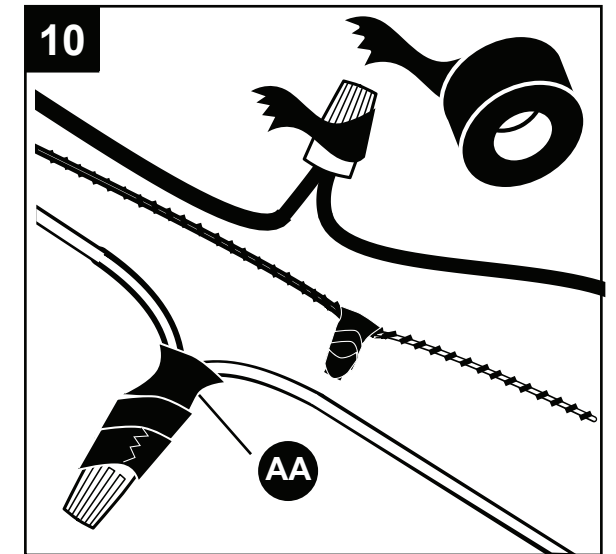
Note: Wires should be spread apart with grounded conductor and equipment-grounding conductor on one side of outlet box and ungrounded conductor on other side. After making connections, make sure bare wire or wire strands are NOT visible.

Place **GREEN** and **WHITE** connections on opposite side of box from **BLACK** and **BLUE** connections. Splices should be turned upward and pushed carefully up into outlet box.

Hardware Used

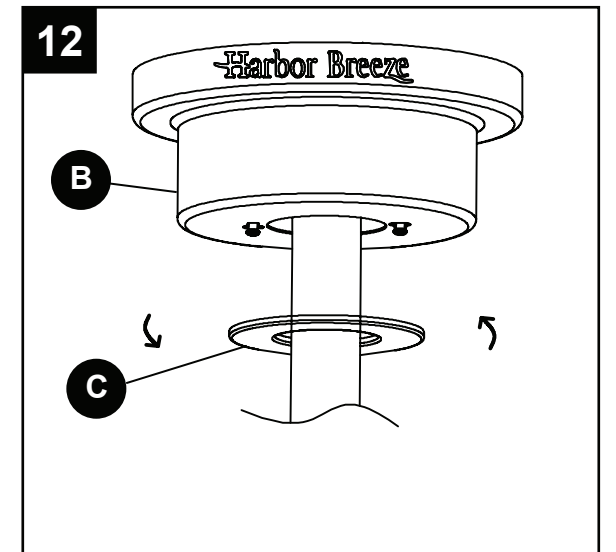
- AA** Wire Connector  x 4

11. Slide canopy (B) up to ceiling and over two screws on the mounting bracket (A). Rotate canopy (B) to lock it into place. Securely tighten screws.



12. Slide the canopy cover (C) over the two screws and rotate clockwise until it locks.



Note: Adjust the screws as necessary until the canopy (B) and the canopy cover (C) are snug.



ASSEMBLY INSTRUCTIONS


13. Attach blade (G) under blade bracket (F) using three decorative nuts (EE) and blade screws (DD). Securely tighten blade screws (DD) into decorative nuts (EE). Repeat for remaining blades (G), blade brackets (F), decorative nuts (EE) and blade screws (DD).

Hardware Used

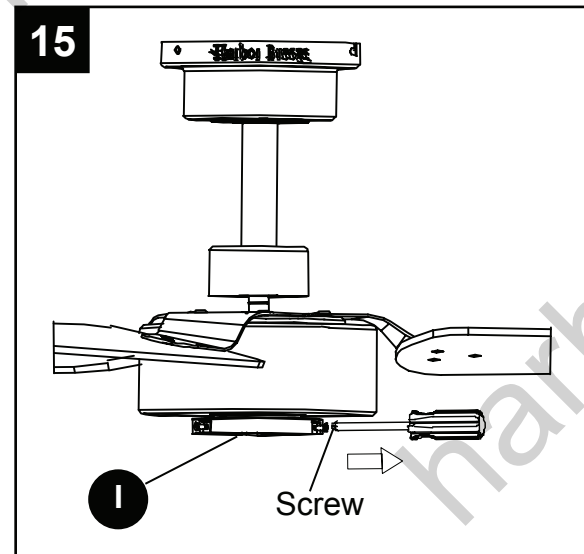
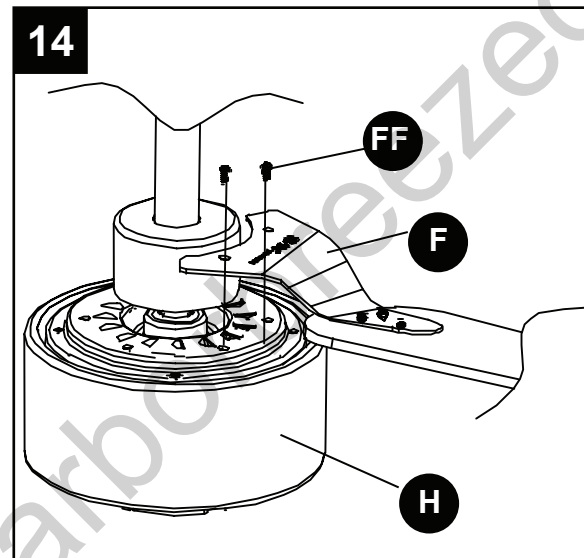
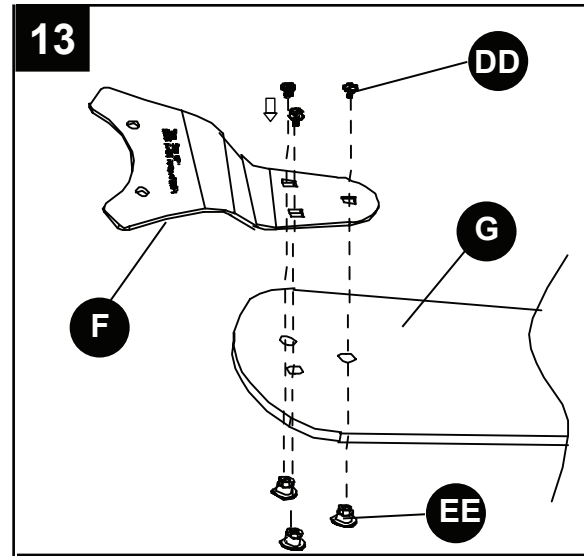
DD Blade Screw		x 9
EE Decorative Nut		x 9

14. Attach blade bracket (F) to motor housing assembly (H) with two blade bracket screws (FF). Securely tighten blade bracket screws (FF). Repeat for remaining blade assemblies.

Hardware Used

FF Blade Bracket Screw		x 6
-------------------------------	--	-----

15. Remove preassembled screws from switch housing cover (I).



ASSEMBLY INSTRUCTIONS

16. Connect male plug from motor housing assembly (H) to the female plug from light kit assembly (J).

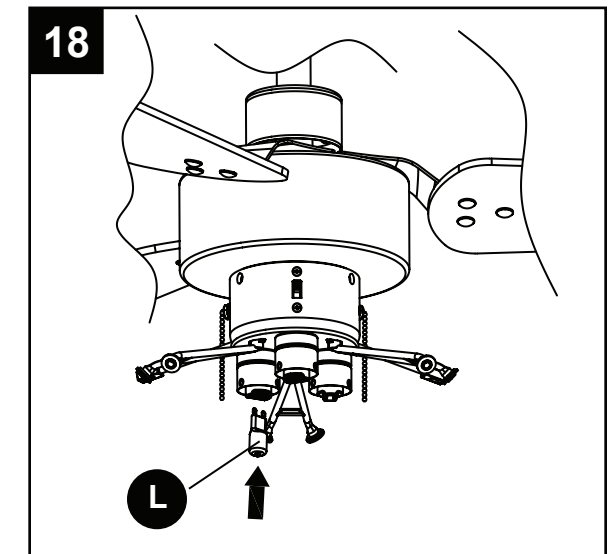
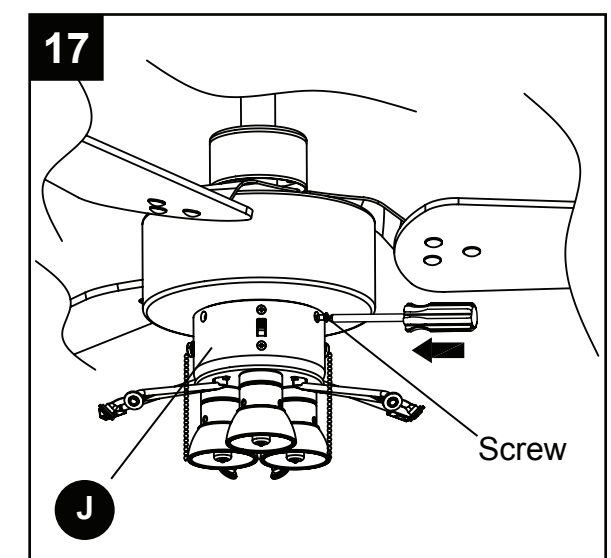
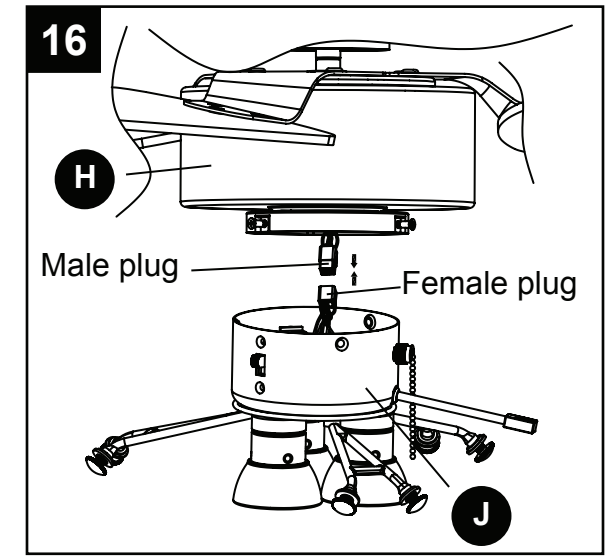
! WARNING: To avoid possible fire or shock, power should be turned off prior to the removal of the light kit.

17. Attach light kit assembly (J) to switch housing cover (I). Align light kit assembly (J) holes with switch housing cover (I) holes. Install previously removed screws (Step 15, page 10) and tighten securely.

Note: The wider gap in the edge of the switch housing cover (I) should align with reverse switch on the light kit assembly (J).

18. Install bulbs (L) into sockets.

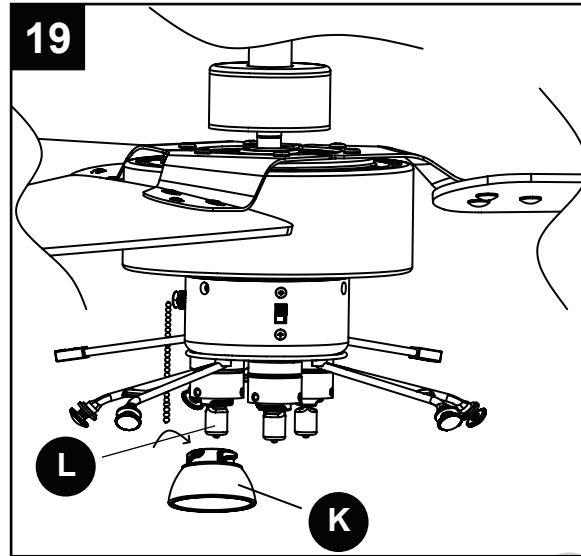
Note: This fan has an energy-saving wattage limiter included. If you replace the bulbs with more than 190 watts, the light will automatically turn off. Please ensure the bulb wattage is always less than 190 watts.



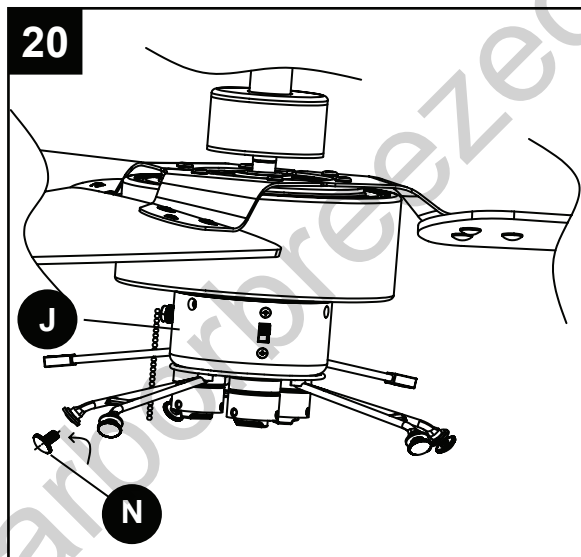
ASSEMBLY INSTRUCTIONS

19. Insert bulb covers (K) through bulbs (L) and into the sockets.

CAUTION: Avoid touching the bulb with your bare hands. Be sure the power is off and the glass and bulb are cool before replacing the bulb or cleaning the fixture.

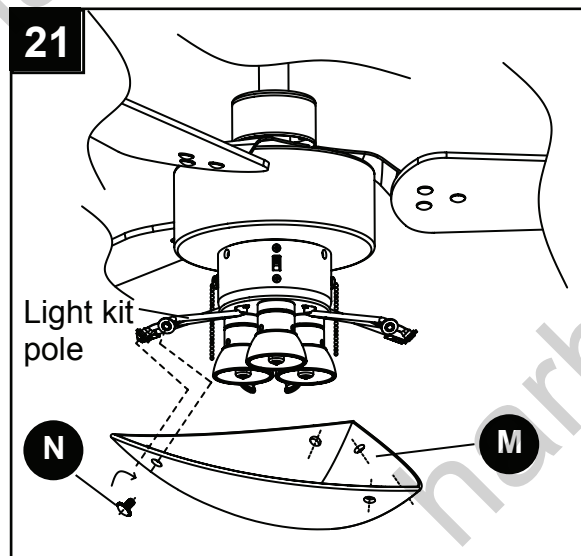


20. Remove preassembled finials (N) from poles on light assembly kit (J).



21. Place glass bowl (M) on poles on light kit assembly (J) until flush against rubber washer. Replace finials (N) and securely tighten.

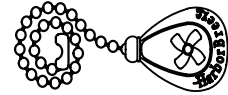
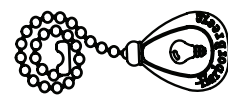
Note: Two people are recommended for this step. If the holes of the glass bowl are not match the light kit poles, please adjust the poles slightly.

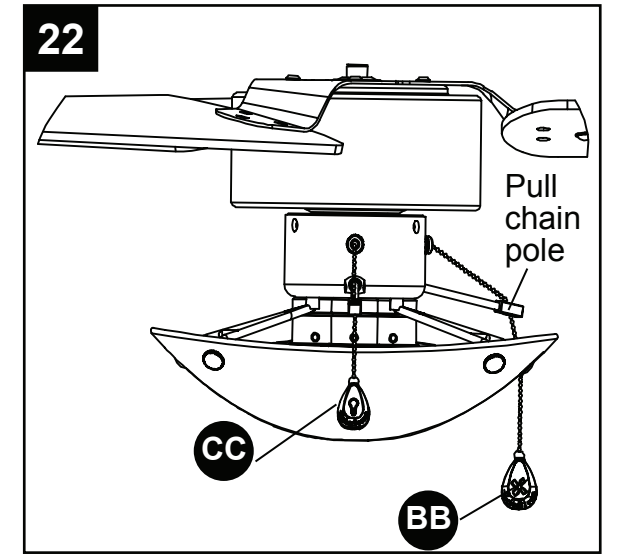


ASSEMBLY INSTRUCTIONS

22. Thread fan pull chain and light kit pull chain through holes of pull chain poles. Attach fan pull chain extension (BB) and light kit pull chain extension (CC) to corresponding chains.

Hardware Used

- BB** Fan Pull Chain Extension  x 1
- CC** Light Pull Chain Extension  x 1



OPERATION INSTRUCTIONS

1. PULL CHAINS:

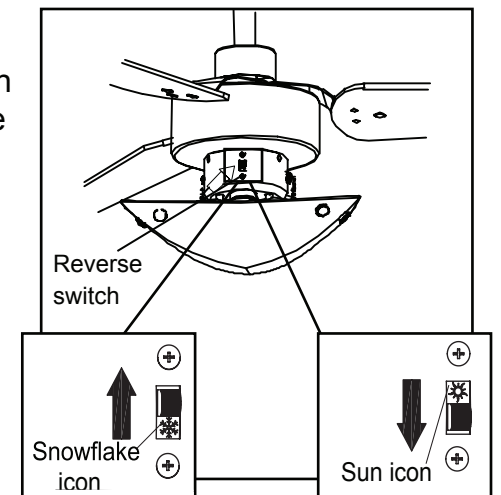
- The fan pull chain is for motor speed control: High, medium, Low and Off. Pull the chain once for each position.
- The light pull chain controls the light fixture either ON or OFF with each pull of the chain.

2. REVERSE SWITCH:

When the season changes, you may want to change the direction the fan spins. To switch between clockwise and counterclockwise rotation, flip the fan reverse switch.

Note: Wait for fan to stop before reversing switch.

- In warmer weather, counterclockwise rotation creates a downward airflow, which cools the air. Push the switch DOWN and see a Sun icon.
- In cooler weather, clockwise rotation creates an upward airflow, which moves hot air from the ceiling into the room. Push the switch UP and see a Snowflake icon.



CARE AND MAINTENANCE

- To reduce the risk of fire, electric shock or injury to persons, care and maintain this fan.
- **IMPORTANT:** Shut off main power supply before beginning any maintenance.
- DO NOT use water or detergents when cleaning the fan or fan blades. A dry dust cloth or lightly dampened cloth will be suitable for most cleaning.
- Clean fan housing with only a soft brush or lint-free cloth to avoid scratching the finish. Clean blades with a lint-free cloth. You may occasionally apply a light coat of furniture polish to blades for added protection.
- At least twice each year, tighten all screws and lower canopy to check mounting bracket screws and downrod assembly.
- Bulb Replacement: Use three 40-watt max. G9 halogen bulbs only; CFLs and LEDs are not recommended for this item.

TROUBLE SHOOTING

PROBLEM	POSSIBLE CAUSE	CORRECTIVE ACTION
Fan blades do not move.	<ol style="list-style-type: none"> 1. Chain switch is "off". 2. Faulty wire connection. 3. Reverse switch not engaged. 	<ol style="list-style-type: none"> 1. Pull chain switch. 2. Turn power off. Loosen canopy; check all connections. 3. Push switch firmly either way.
Noisy operation.	<ol style="list-style-type: none"> 1. Blades are loose. 2. Cracked blade 3. Unapproved speed control. 	<ol style="list-style-type: none"> 1. Tighten all blade screws. 2. Replace blades (call customer service). 3. Replace with an approved speed control device.
Excessive wobbling.	<ol style="list-style-type: none"> 1. Blades are loose. 2. Blade brackets incorrectly attached. 3. Unbalanced blades. 4. Fan not securely mounted. 5. Fan too close to vaulted ceiling. 	<ol style="list-style-type: none"> 1. Tighten all blade screws. 2. Reinstall blade brackets. 3. Use blade balancing kit included. 4. Turn power off. Carefully loosen canopy and remount securely. 5. Lower fan or move it to another location.

WARRANTY

The manufacturer warrants this fan to be free from defects in workmanship and material present at time of shipment from the factory for lifetime limited from the date of purchase. This warranty applies only to the original purchaser. The manufacturer agrees to correct such defect at no charge or at our option replace the ceiling fan with a comparable or superior model.

To obtain warranty service, present a copy of your sales receipt as proof of purchase. All cost of removal and reinstallation are the expressed responsibility of the purchaser. Any damage to the ceiling fan by accident, misuse or improper installation, or by affixing accessories not produced by the manufacturer of the fan, are at the purchaser's own responsibility. The manufacturer assumes no responsibility whatsoever for fan installation during the lifetime limited warranty. Any service performed by an unauthorized person will render the warranty invalid.

Due to varying climatic conditions, this warranty does not cover changes in brass finish, rusting, pitting, tarnishing, corroding or peeling. Brass finish fans maintain their beauty when protected from varying weather conditions. Any glass provided with this fan is not covered by the warranty. Any replacement of defective parts for the ceiling fan must be reported within the first year from the date of purchase. For the balance of the warranty, call our customer service department at 1-800-643-0067 for return authorization and shipping instructions so that we may repair or replace the ceiling fan. Any fan or parts returned improperly packaged is the sole responsibility of the purchaser. There is no further expressed warranty. The manufacturer disclaims any and all implied warranties.

The duration of any implied warranty which can not be disclaimed is limited to the lifetime limited period as specified in our warranty. The manufacturer shall not be liable for incidental, consequential or special damages arising at or in connection with product use or performance except as may otherwise be accorded by law. This warranty gives you specific legal rights and you also have other rights which vary from state to state. This warranty supersedes all prior warranties.

Note: A small amount of "wobble" is normal and should not be considered a defect.

REPLACEMENT PARTS LIST

For replacement parts, call our customer service department at 1-800-643-0067, 8 a.m. - 6 p.m., EST, Monday - Thursday, 8 a.m. - 5 p.m., EST, Friday.

PART	DESCRIPTION	PART #
F	Blade Bracket	104000-0318FL
G	Blade	108001-4043BK
M	Glass Bowl	991300-0547TR

