



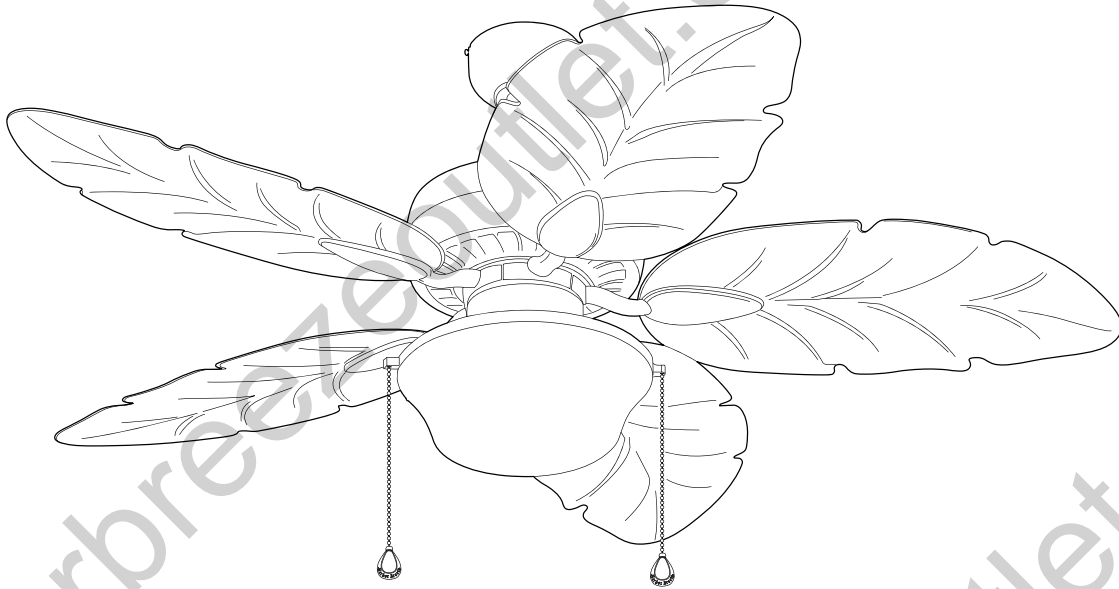
ITEM #0648635

WAVEPORT STYLE CEILING FAN

MODEL #E-WK52NWZ5C1L

Harbor Breeze® is a registered trademark of LF, LLC. All Rights Reserved.

Español p. 22



Intertek
For
Damp Location

ATTACH YOUR RECEIPT HERE

Serial Number _____ Purchase Date _____



Questions, problems, missing parts? Before returning to your retailer, call our customer service department at **1-800-643-0067**, 8 a.m. - 6 p.m., EST, Monday - Thursday, 8 a.m. - 5 p.m., EST, Friday.



Lowes.com/harborbreeze

TABLE OF CONTENTS

Safety Information	2
Package Contents	4
Hardware Contents	5
Preparation	5
Initial Installation	5
Downrod-Style Fan Mounting	7
Closemount-Style Fan Mounting	9
Wiring	11
Final Installation	13
Installing Fan Without Light Kit	16
Operating Instructions	17
Care and Maintenance	18
Troubleshooting	19
Limited Lifetime Warranty	20
Replacement Parts List	21

SAFETY INFORMATION

READ AND SAVE THESE INSTRUCTIONS

- Do not discard fan carton or foam inserts. Should this fan need to be returned to the factory for repairs, it must be shipped in its original packaging to ensure proper protection against damage that might exceed the initial cause for return.
- Make sure all electrical connections comply with local codes, ordinances, the National Electrical Code and ANSI/NFPA 70-1999. Hire a qualified electrician or consult a do-it-yourself wiring handbook if you are unfamiliar with installing electrical wiring.
- Make sure the installation site you choose allows a minimum clearance of 7 ft. from the blades to the floor and at least 30 in. from the end of the blades to any obstruction.
- After you install the fan, make sure all connections are secure to prevent the fan from falling.
- The net weight of this fan is: 18.48 lbs.

DANGER

If using this fan in a DAMP location, this fan must be connected to a supply circuit that is protected by a Ground Fault Circuit Interrupter (GFCI) to reduce the risk of personal injury, electrical shock or death.





SAFETY INFORMATION

⚠ WARNING



To reduce the risk of fire, electrical shock or personal injury, mount fan to outlet box marked "ACCEPTABLE FOR FAN SUPPORT OF 35 LBS. OR LESS" and use mounting screws provided with the outlet box. Most outlet boxes commonly used for the support of lighting fixtures are not acceptable for fan support and may need to be replaced. Consult a qualified electrician if in doubt.

When mounting fan to a ceiling outlet box, use a METAL octagonal outlet box; do NOT use a plastic outlet box. Secure the outlet box directly to the building structure. The outlet box and its support must be able to support the moving weight of the fan (at least 35 lbs.).

To avoid personal injury, the use of gloves may be necessary while handling fan parts with sharp edges.

To reduce the risk of fire, electrical shock or personal injury, wire connectors provided with this fan are designed to accept only one 12-gauge house wire and two lead wires from the fan. If your house wire is larger than 12-gauge or there is more than one house wire to connect to the corresponding fan lead wires, consult an electrician for the proper size wire connectors to use.

To reduce the risk of fire or electrical shock, do not use the fan with any solid state speed control device or control fan speed with a full range dimmer switch.

To reduce the risk of fire, electrical shock or personal injury, do not bend the blade arms when installing them, balancing the blades or cleaning the fan. Do not insert objects between the rotating fan blades.

To reduce the risk of personal injury, use *only* parts provided with this fan. The use of parts *OTHER* than those provided with this fan will void the warranty.

Before proceeding, be sure to shut off electricity at main switch or circuit breaker in order to avoid electrical shock.

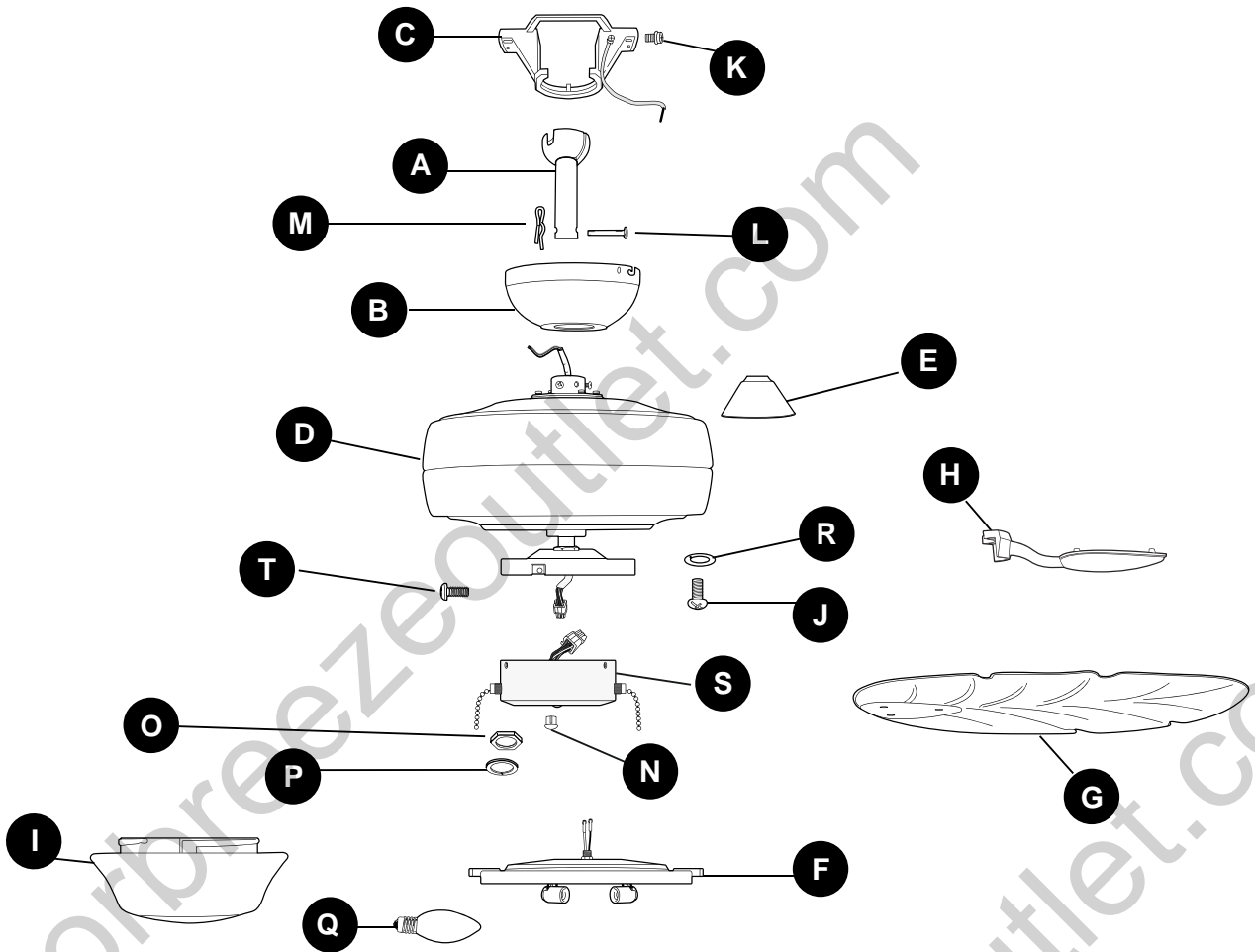
CAUTION

Be sure outlet box is properly grounded and that a ground wire (green or bare) is present.

Before beginning installation, carefully check all screws, bolts and nuts on fan motor assembly to ensure that they are secured.



PACKAGE CONTENTS



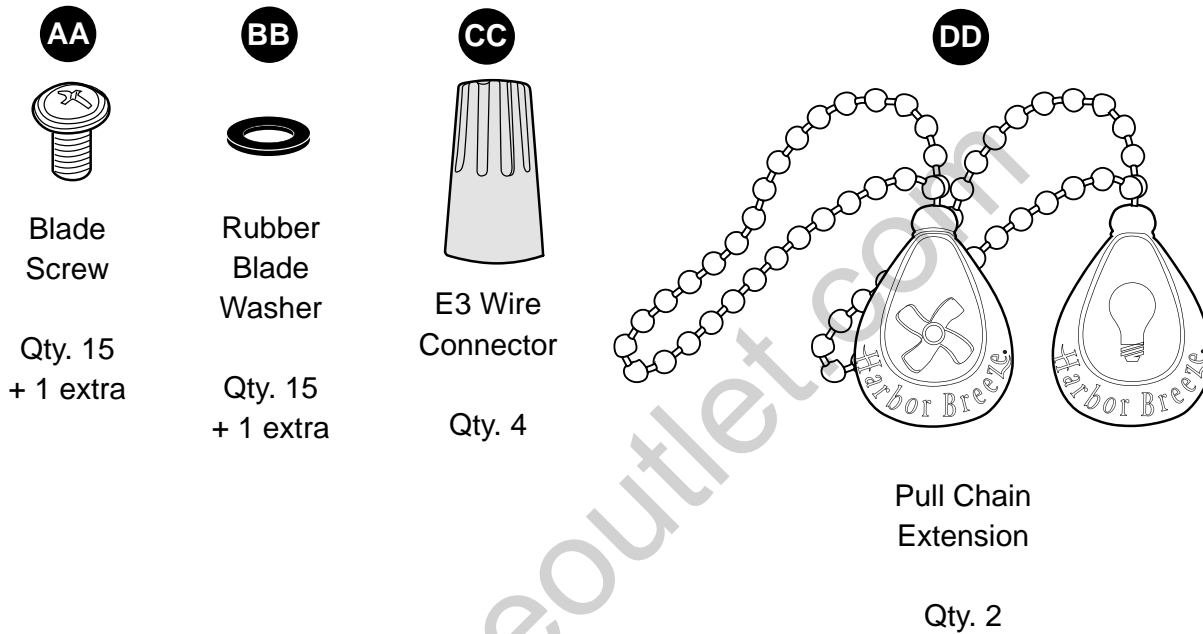
PART	DESCRIPTION	QUANTITY
A	Downrod	1
B	Canopy	1
C	Mounting Bracket (preassembled)	1
D	Motor Housing	1
E	Yoke Cover	1
F	Light Kit Fitter	1
G	Blade	5
H	Blade Arm	5
I	Glass Shade	1
J	Motor Screw (preassembled)	10
K	Canopy Mounting Screw (preassembled)	4

PART	DESCRIPTION	QUANTITY
L	Pin (preassembled)	1
M	Clip (preassembled)	1
N	Cap (preassembled)	1
O	Hex Nut (preassembled)	1
P	Lock Washer (preassembled)	1
Q	Bulb	2
R	Motor Washer (preassembled)	10
S	Switch Housing	1
T	Switch Housing Screw (preassembled)	3

⚠ IMPORTANT REMINDER: You must use the parts provided with this fan for proper installation and safety.



HARDWARE CONTENTS (shown actual size)



PREPARATION

Before beginning assembly of product, make sure all parts are present. Place motor on carpet or on foam to avoid damage to finish. Compare parts with package contents list and hardware contents list. If any part is missing or damaged, do not attempt to assemble the product.

Estimated Assembly Time: 120 minutes

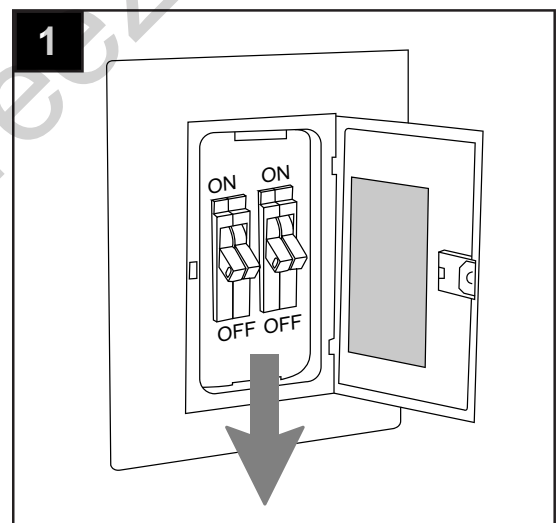
Tools Required for Assembly (not included): Electrical Tape, Phillips Screwdriver, Pliers, Safety Glasses, Stepladder and Wire Strippers

Helpful Tools (not included): AC Tester Light, Tape Measure, Do-It-Yourself Wiring Handbook and Wire Cutters

INITIAL INSTALLATION

1. Turn off circuit breakers and wall switch to the fan supply line leads.

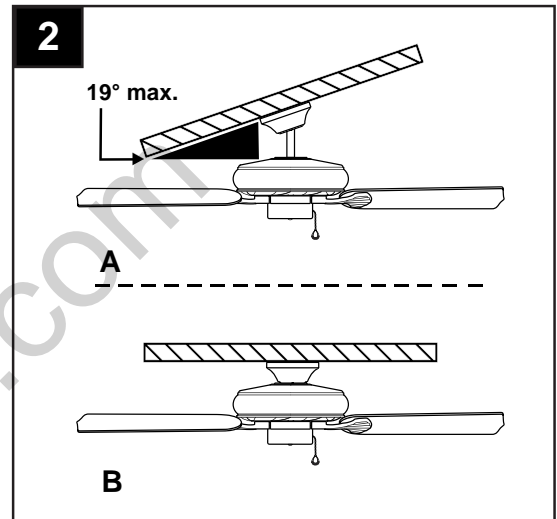
⚠ DANGER: Failure to disconnect power supply prior to installation may result in serious injury or death.



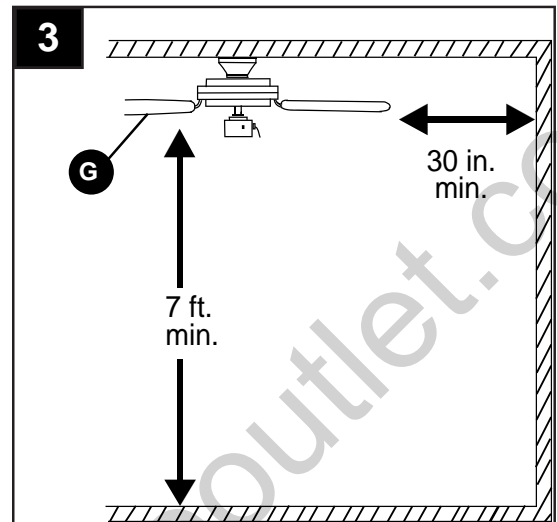
INITIAL INSTALLATION

- Determine mounting method to use.
 - Downrod mount (standard or angled ceiling)
 - Closemount (standard ceiling only)**IMPORTANT:** If using the angle mount, check to make sure the ceiling angle is not steeper than 19°.

***Helpful Hint:** Downrod-style mounting is best suited for ceilings 8 ft. or higher. For taller ceilings you may want to use a longer downrod (not included). Angle-style mounting is best suited for angled or vaulted ceilings. A longer downrod is sometimes necessary to ensure proper blade clearance. Closemount mounting is more suitable for ceilings lower than 8 ft. high.

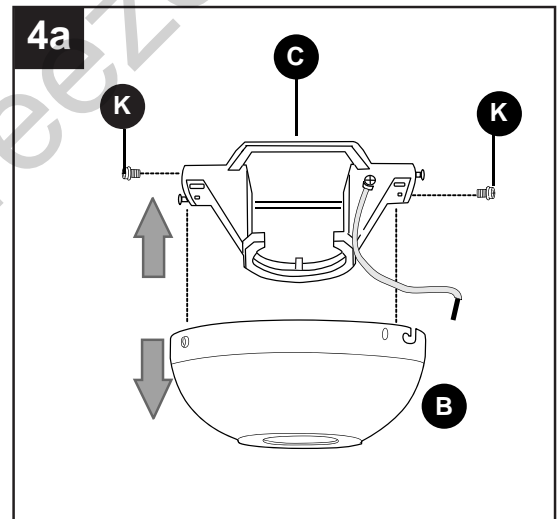


- Check to make sure blades (G) will be at least 30 in. from any obstruction and at least 7 ft. above the floor.



- Loosen canopy mounting screws (K) in slotted holes of canopy (B) and remove the other two canopy mounting screws (K); save for later use.

Remove mounting bracket (C) from canopy (B).

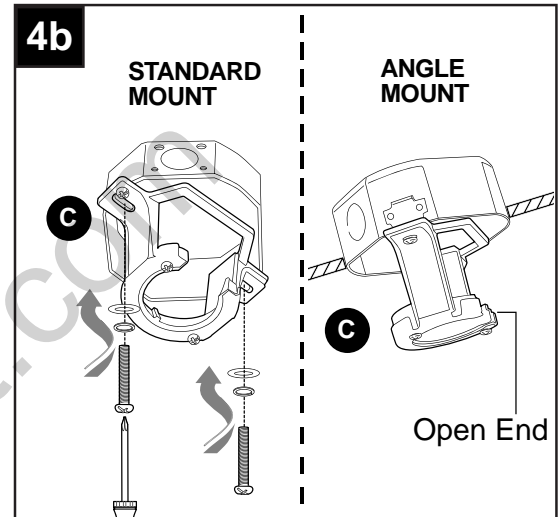


INITIAL INSTALLATION

4b. Secure mounting bracket (C) to outlet box (not included) using screws, spring washers and flat washers provided with the outlet box.

***NOTE:** It is very important you use the proper hardware when installing the mounting bracket (C) as this will support the fan.

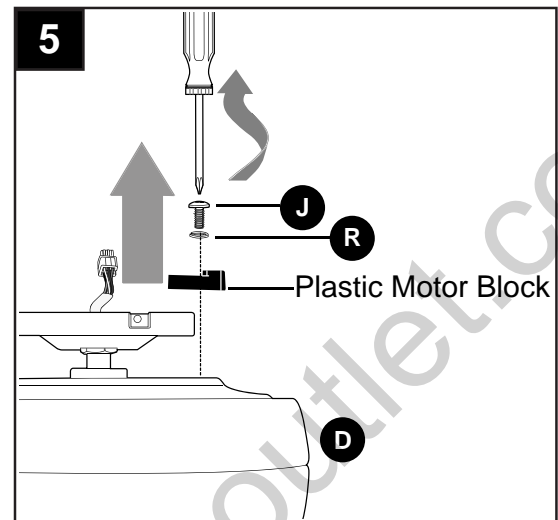
IMPORTANT: If using the angle mount, make sure open end of mounting bracket (C) is installed facing the higher point of the ceiling, and ensure the ceiling angle is not steeper than 19°.



5. Remove motor screws (J) and motor washers (R) from underside of motor housing (D). [If there are plastic motor blocks installed with the motor screws (J) and motor washers (R), discard the plastic motor blocks.]

For **DOWNROD-STYLE FAN MOUNTING**, proceed to step 1 below.

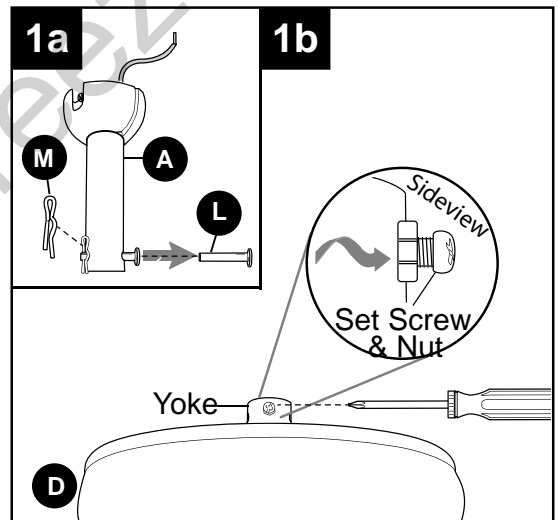
For **CLOSEMOUNT-STYLE FAN MOUNTING**, skip to page 9.



DOWNROD-STYLE FAN MOUNTING

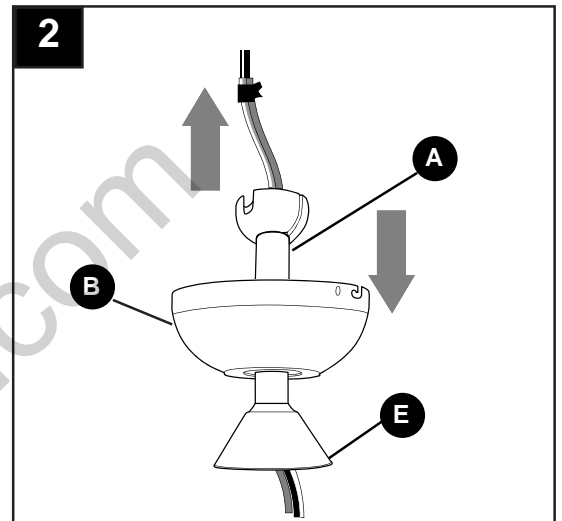
1a. Remove pin (L) and clip (M) from downrod (A).

1b. Partially loosen preassembled set screws and nuts in yoke at top of motor housing (D).

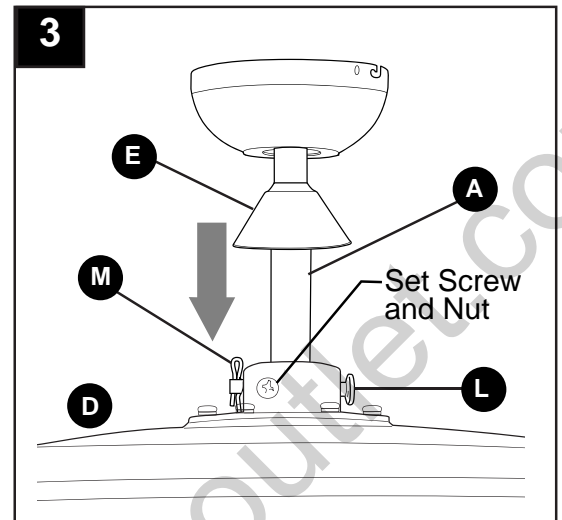


DOWNROD-STYLE FAN MOUNTING

2. Insert downrod (A) through canopy (B), and yoke cover (E). Thread wires from motor housing (D) up through downrod (A).



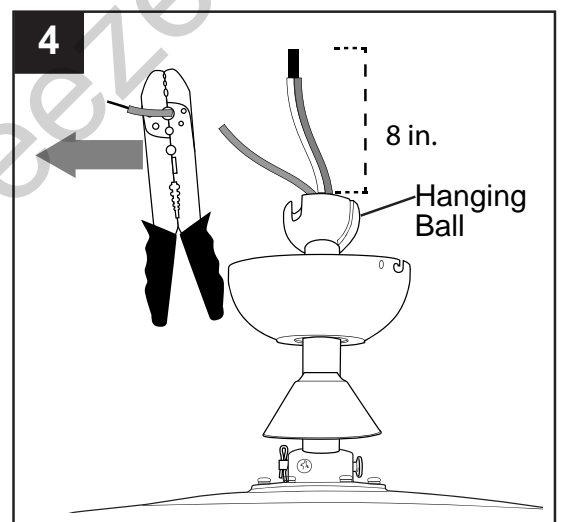
3. Slip downrod (A) into yoke, align holes and re-install pin (L) and clip (M). Tighten downrod (A) set screws and then tighten nuts. Slide yoke cover (E) down until it rests on top of motor housing (D).



4. Depending on the length of downrod you use, you may need to cut the lead wires back to simplify the wiring. If you decide to cut back the lead wires, it is suggested you do so in the following manner:

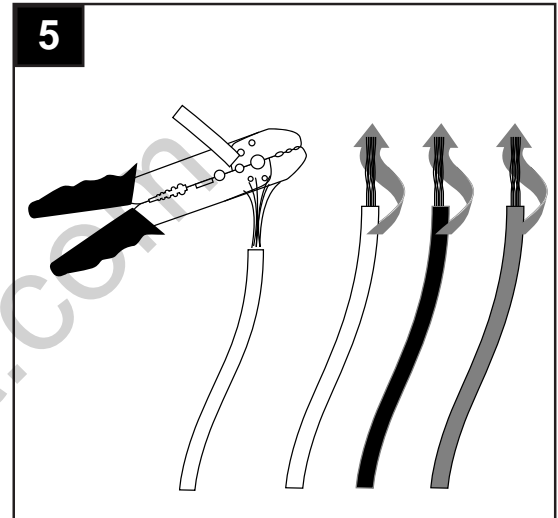
Take the lead wires and make sure you have pulled them all the way through the top of the downrod. Start at the TOP of the hanging ball on the downrod and measure 8 in. of lead wire, and then cut the excess wire off with wire cutters (not included).

NOTE: If you do *not* cut back the lead wires, **Steps 4 and 5 are not necessary and you may proceed to Step 6 instead.**



DOWNROD-STYLE FAN MOUNTING

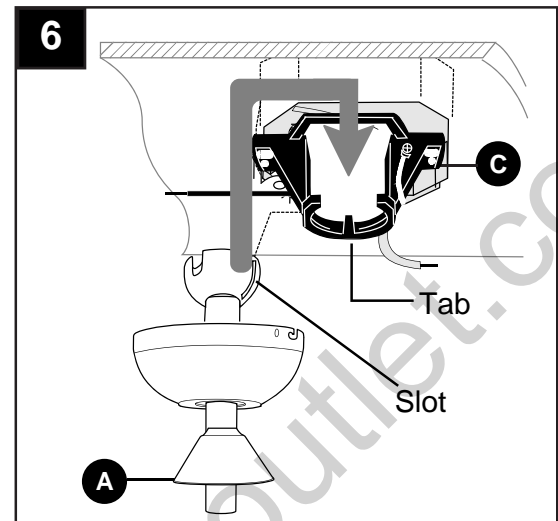
5. If you cut back the lead wires in Step 4, strip 1/2 in. of insulation from end of of each wire -- white, black, green and blue (if applicable). Twist stripped ends of each strand of wire within the insulation with pliers (not included).



6. Install hanging ball of downrod (A) into opening of mounting bracket (C). Align the slot in hanging ball with the tab in mounting bracket (C).

⚠ DANGER: Failure to align slot in hanging ball with the tab in mounting bracket (C) may result in serious injury or death.

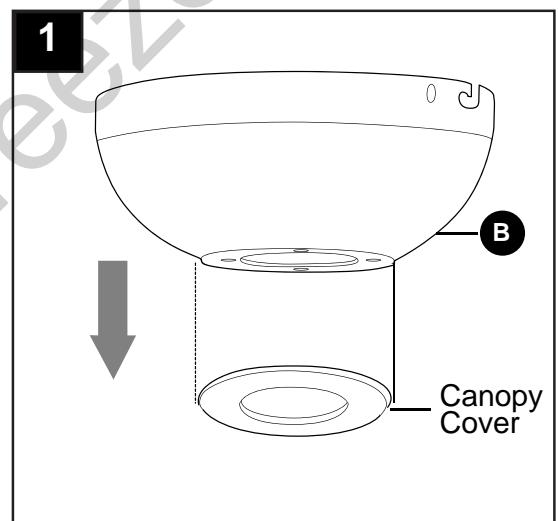
Continue to **WIRING** on page 11.



CLOSEMOUNT-STYLE FAN MOUNTING

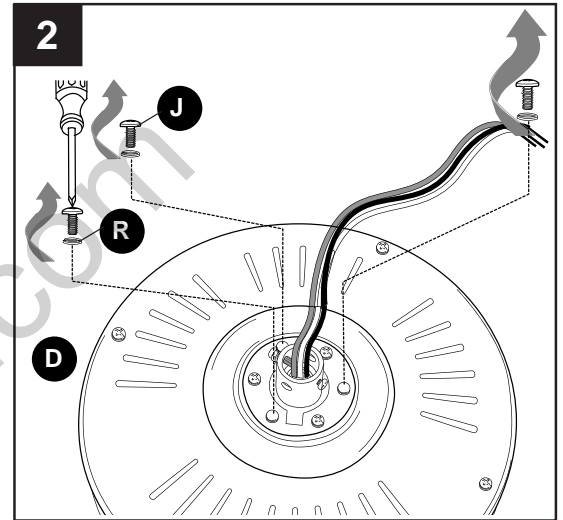
1. Remove preassembled canopy cover from bottom of canopy (B). **[NOTE:** It may be necessary to use the handle end of a screwdriver (not included) to remove the canopy cover by tapping on the canopy cover from the *inside* of the canopy (B).]

NOTE: The downrod (A), yoke cover (E) and canopy cover are not used in this type of installation.

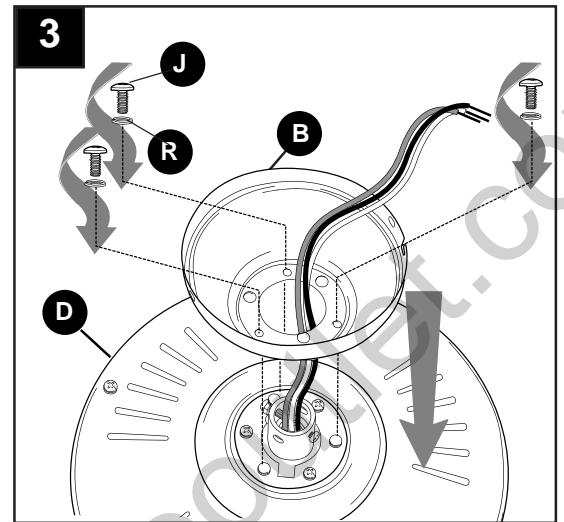


CLOSEMOUNT-STYLE FAN MOUNTING

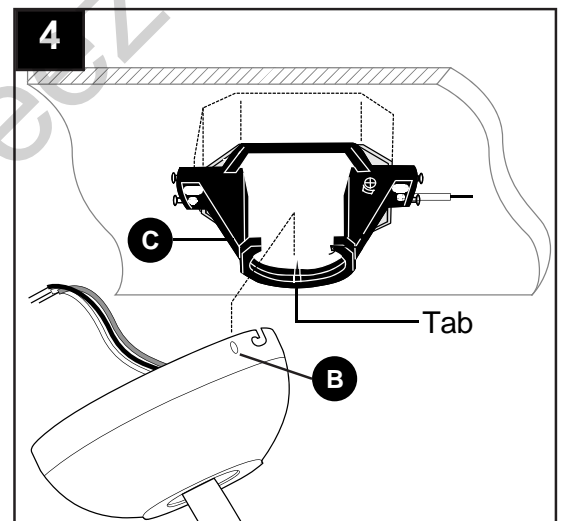
2. Remove every other motor screw (J) and motor washer (R) from top of motor housing (D).



3. Pull wires up through hole in the middle of the canopy (B) and attach canopy (B) to motor housing (D) using the three motor screws (J) and motor washers (R) previously removed.



4. Temporarily hang fan on the tab on the mounting bracket (C) using one of the *non-slotted* holes in the canopy (B).



WIRING

⚠ WARNING: To reduce the risk of fire, electrical shock or personal injury, wire connectors provided with this fan are designed to accept only one 12-gauge house wire and two lead wires from the fan. If your house wire is larger than 12-gauge or there is more than one house wire to connect to the corresponding fan lead wires, consult an electrician for the proper size wire connectors to use.

⚠ CAUTION: Be sure outlet box is properly grounded and that a ground (green or bare) wire is present.

⚠ WARNING: If house wires are different colors than referred to in the following steps, stop immediately. A professional electrician is recommended to determine wiring.

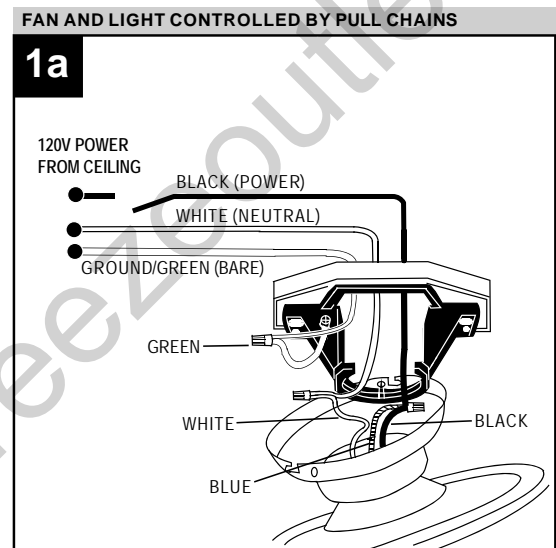
⚠ WARNING: Using a full range dimmer switch (not included) to control fan speed will cause a loud humming noise from fan. To reduce the risk of fire or electrical shock, do NOT use a full range dimmer switch to control fan speed.

⚠ DANGER: If using this fan in a DAMP location, this fan must be connected to a supply circuit protected by a Ground Fault Circuit Interrupter (GFCI) to reduce the risk of personal injury, electrical shock or death.

NOTE: This fan is remote control adaptable (remote control sold separately). Any remote control used with this fan MUST be UL-approved for DAMP LOCATIONS.

1. Choose wiring diagram (Fig. 1a, Fig. 1b or Fig. 1c) that fits your situation and make appropriate wiring connections as follows: **[IMPORTANT:** Use one of the wire connectors (CC) to make each wire connection, making sure to screw wire connector (CC) on in a clockwise direction.]

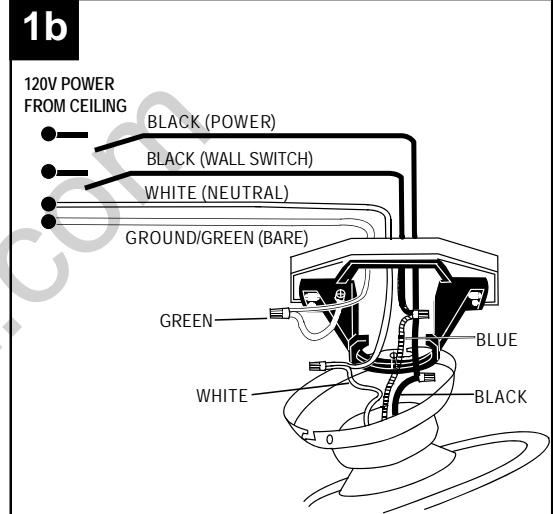
1a. FAN AND LIGHT CONTROLLED BY PULL CHAINS: Connect BLACK and BLUE wire from fan to BLACK wire from ceiling. Connect WHITE wire from fan to WHITE wire from ceiling. Connect GREEN wire from fan (on downrod (A) and mounting bracket (C)) to BARE/GREEN wire from ceiling.



WIRING

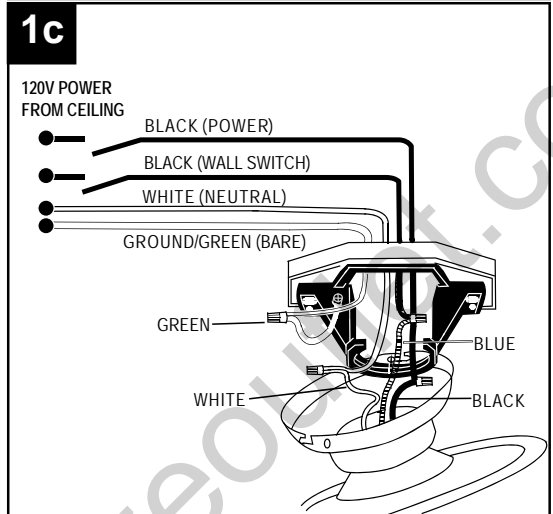
1b. FAN CONTROLLED BY PULL CHAIN, LIGHT BY WALL SWITCH: Connect BLACK wire from fan to BLACK wire from ceiling. Connect BLUE wire from fan to the BLACK wire from the independent wall switch for the light. Connect WHITE wire from fan to WHITE wire from ceiling. Connect GROUND (GREEN) wires from fan (on downrod (A), if applicable, and mounting bracket (C)) to BARE/GREEN wire from ceiling.

FAN CONTROLLED BY PULL CHAIN, LIGHT BY WALL SWITCH



1c. FAN AND LIGHT CONTROLLED BY TWO WALL SWITCHES: Connect BLACK wire from fan to BLACK wire from the independent wall switch for the fan. Connect BLUE wire from fan to the BLACK wire from the other independent wall switch for the light. Connect WHITE wire from fan to WHITE wire from ceiling. Connect GROUND (GREEN) wires from fan (on downrod (A), if applicable, and mounting bracket (C)) to BARE/GREEN wire from ceiling.

FAN AND LIGHT CONTROLLED BY TWO WALL SWITCHES

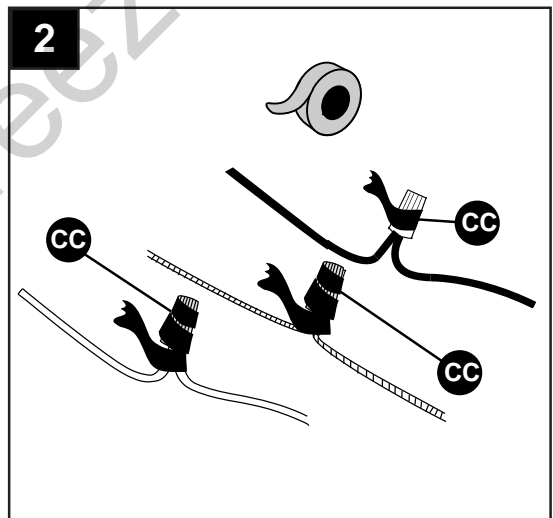


NOTE: BLACK wire is hot power for fan. BLUE wire is hot power for light kit. WHITE wire is common for fan and light kit. GREEN or BARE wire is ground.

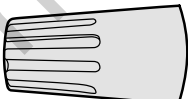
2. Wrap electrical tape (not included) around each individual wire connector (CC) down to the wire.

⚠ WARNING: Make sure no bare wire or wire strands are visible after making connections. Place GREEN and WHITE wire connections on the opposite side of the outlet box from the BLACK and BLUE wire connections.

Turn spliced/taped wires upward and gently push wires and wire connectors (CC) into outlet box.

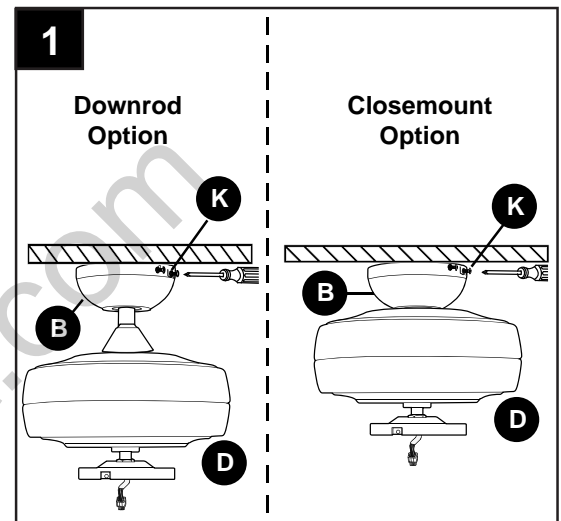


Hardware Used

- CC** E3 Wire Connector  x 4

FINAL INSTALLATION

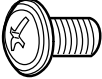

1. Lift canopy (B) to mounting bracket (C) again, aligning slotted holes in canopy (B) with loosened canopy mounting screws (K) in mounting bracket (C). Twist canopy (B) clockwise to lock. Re-insert the two canopy mounting screws (K) previously removed (Step 4a, page 6) and tighten all canopy mounting screws (K) securely.



2. Partially insert three blade screws (AA) along with three rubber blade washers (BB) into holes in blade (G). **NOTE:** Make sure to attach blade (G) with the flat side of the blade (G) facing up -- note label indicating THIS SIDE UP. Align pegs on blade arm (H) with blade screws (AA), securing blade arm (H) to blade (G) by tightening blade screws (AA) starting with the one in the middle.

Repeat for remaining blades (G) and blade arms (H).

Hardware Used

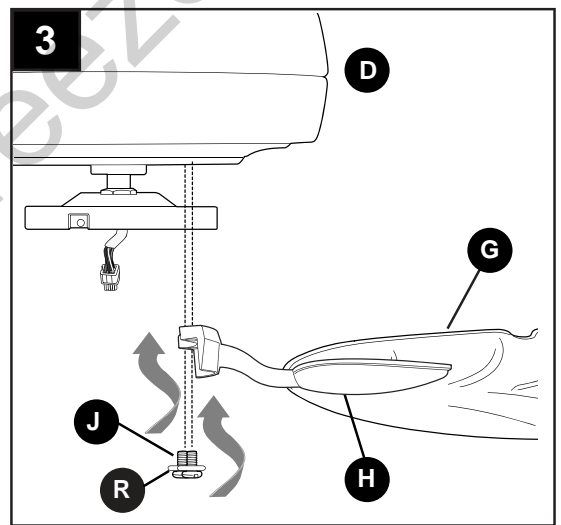
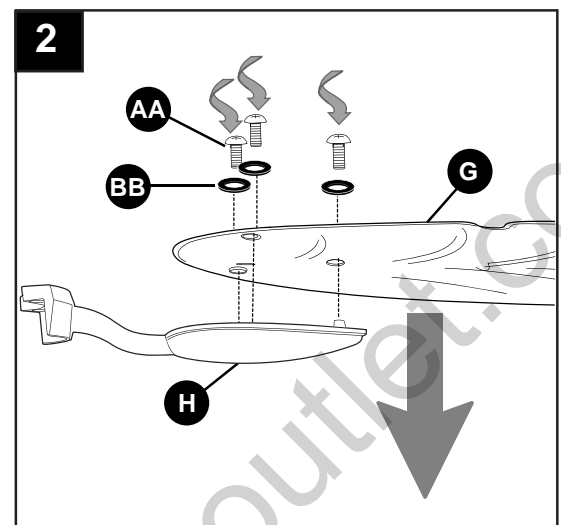
AA	Blade Screw		x 15
BB	Rubber Blade Washer		x 15

3. Attach blade arms (H) to the bottom of motor housing (D) with motor screws (J) and motor washers (R) previously removed (Step 5, page 7). Tighten motor screws (J) securely.

Note: Make sure to completely secure each blade arm (H) before proceeding to the next.

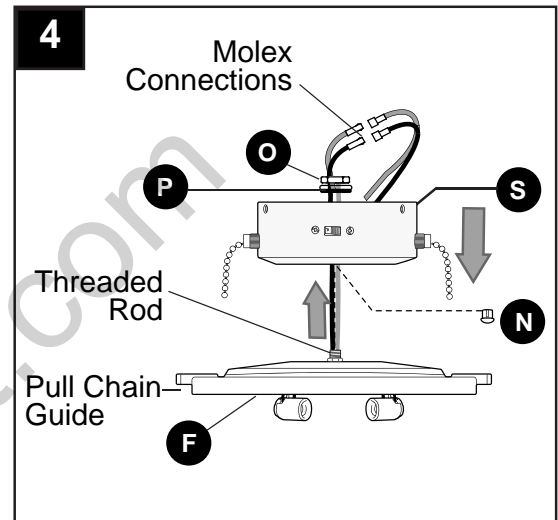
If you do NOT wish to use the light kit, skip to **INSTALLING FAN WITHOUT LIGHT KIT** on page 16.

If you DO wish to use the light kit, proceed to Step 4.

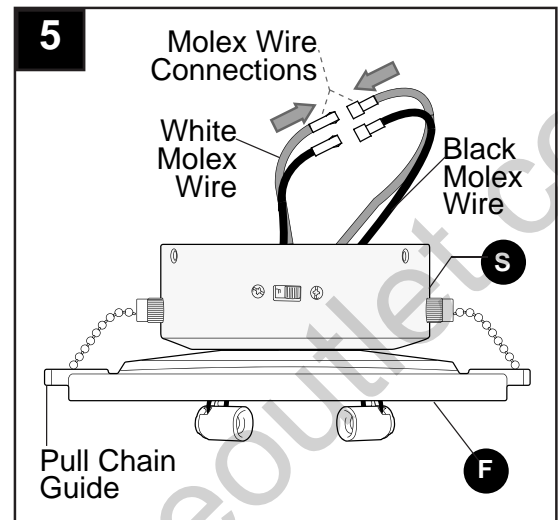


FINAL INSTALLATION

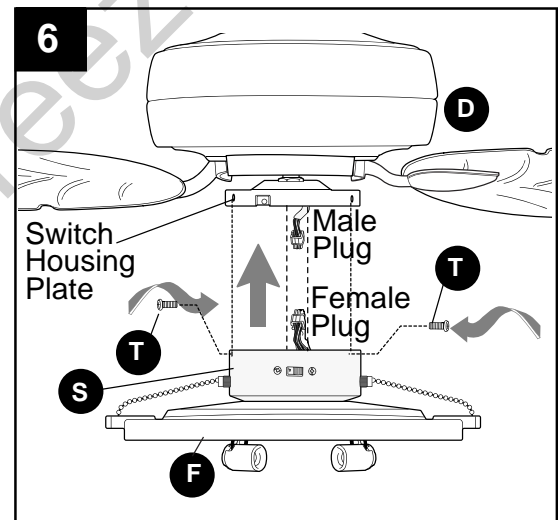
4. To install the fan with the light kit, remove preassembled hex nut (O) and lock washer (P) from threaded rod at top of light kit fitter (F). Punch center cap (N) out of switch housing (S) with a screwdriver (not included). Gently feed molex wires (one at a time) from light kit fitter (F) through hole in middle of switch housing (S), and then screw switch housing (S) onto threaded rod on light kit fitter (F) -- ensure to align holes on pull chain guides with pull chains on switch housing (S). Tighten hex nut (O) over lock washer (P) for a secure fit.



5. Connect WHITE molex wire from light kit fitter (F) to WHITE molex wire from switch housing (S). Connect BLACK molex wire from light kit fitter (F) to BLUE (or BLACK) molex wire from switch housing (S). Make sure molex wire connections snap together securely.



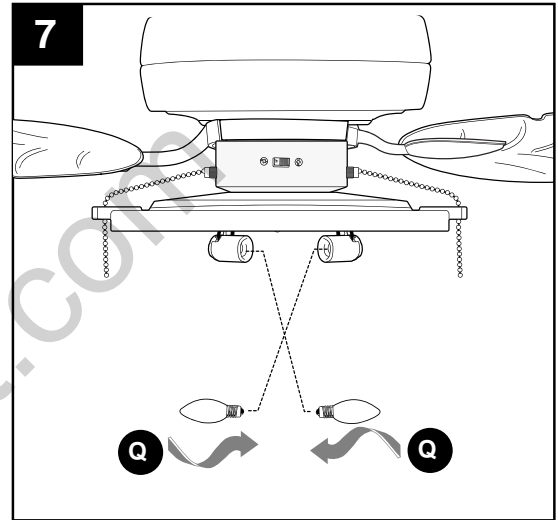
6. Remove the three preassembled switch housing screws (T) from preassembled switch housing plate on motor housing (D). Connect male plug from motor housing (D) to female plug from switch housing (S), matching up the colors on the male plug with the colors on the female plug for correct fit. Make sure plugs are connected completely. Align holes in switch housing (S) with holes in switch housing plate, and secure switch housing (S) with three switch housing screws (T) previously removed. Tighten all screws securely.



FINAL INSTALLATION

7. Install bulbs (Q).

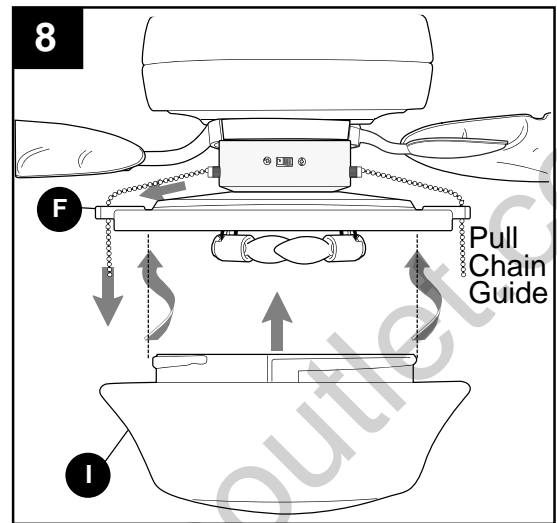
⚠ WARNING: When replacing bulb(s), allow bulb(s) and glass shade to cool down before touching.



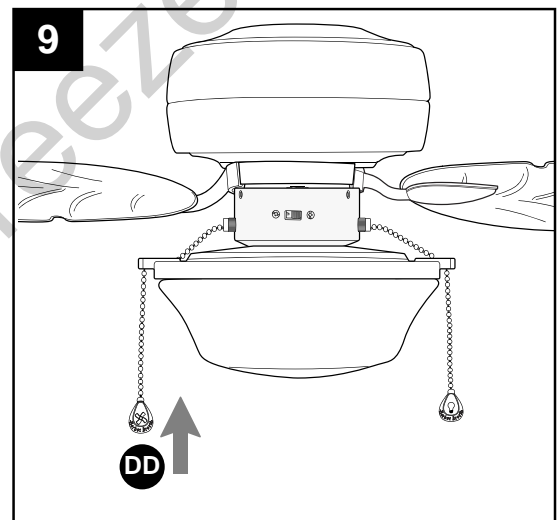
8. Thread preassembled fan and light pull chains through corresponding pull chain guides on the outer rim of the light kit fitter (F).

Align slots on glass shade (I) with protrusions on the inside of the light kit fitter (F). Turn glass shade (I) *clockwise* until it no longer turns.

NOTE: Pull down gently on the glass shade (I) to make sure it is secured completely.



9. Attach pull chain extensions (DD) or custom pull chain extensions (not included) to corresponding pull chains labeled with "LIGHT" and "FAN".

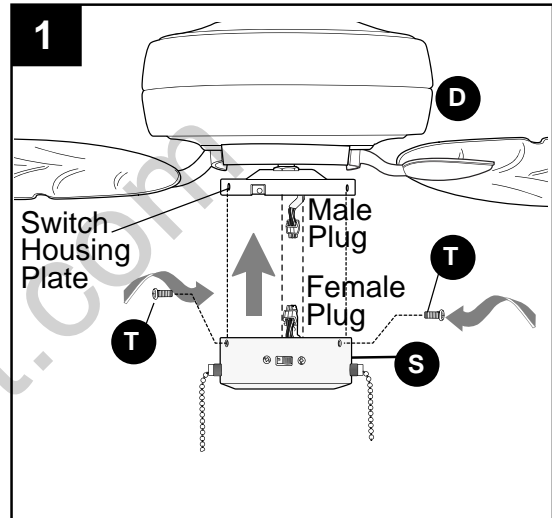


Hardware Used



INSTALLING FAN WITHOUT LIGHT KIT

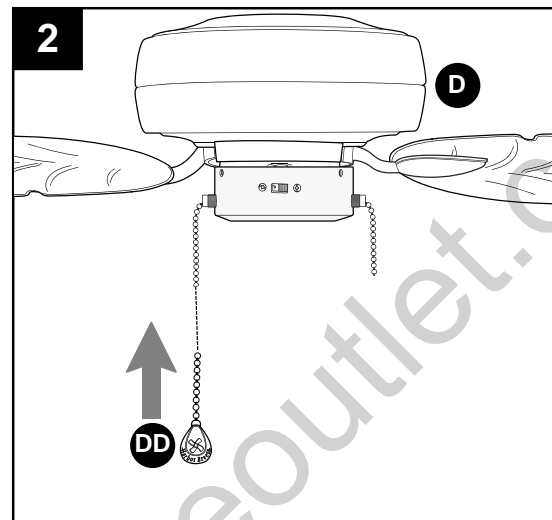
1. **If you do NOT wish to use the light kit**, remove the three preassembled switch housing screws (T) from preassembled switch housing plate on motor housing (D). Connect male plug from motor housing (D) to female plug from switch housing (S), matching up the colors on the male plug with the colors on the female plug for correct fit. Make sure plugs are connected completely. Align holes in switch housing (S) with holes in switch housing plate. Re-insert switch housing plate screws (T) just removed and use a Phillips screwdriver to secure switch housing (S) to switch housing plate. Tighten all screws securely.



2. Attach necessary pull chain extension (DD) or custom pull chain extension (not included) to corresponding pull chain labeled FAN.

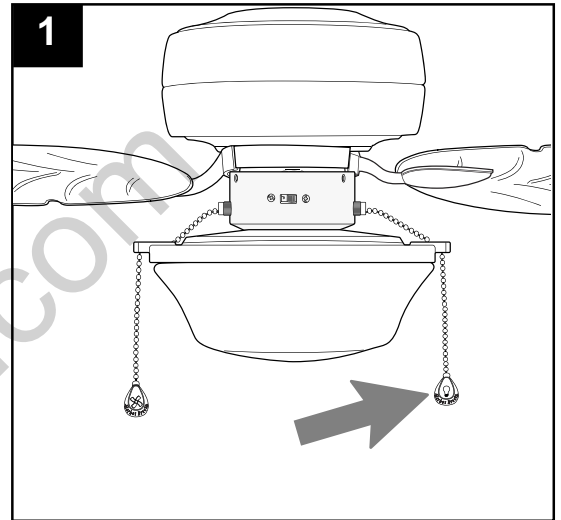
Hardware Used

- DD** Pull Chain Extension x 1

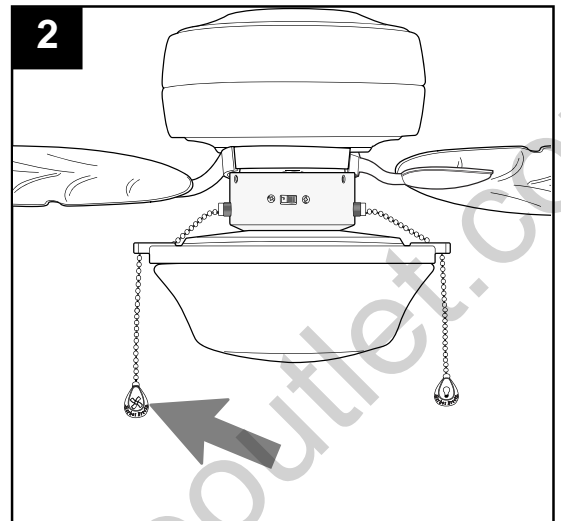


OPERATING INSTRUCTIONS

1. The fan pull chain labled FAN has four positions to control fan speed. One pull is HIGH, two is MEDIUM, three is LOW and four turns the fan OFF.



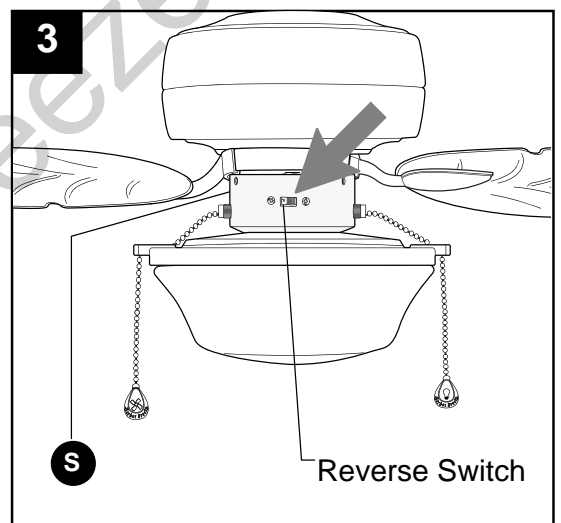
2. If applicable, the light pull chain labled LIGHT is used to turn the light ON or OFF.



3. Use the fan reverse switch on the switch housing (S) to optimize your fan for seasonal performance. A ceiling fan will allow you to raise your thermostat setting in summer and lower your thermostat setting in winter without feeling a difference in your comfort.

NOTE: Wait for fan to stop before moving the reverse switch.

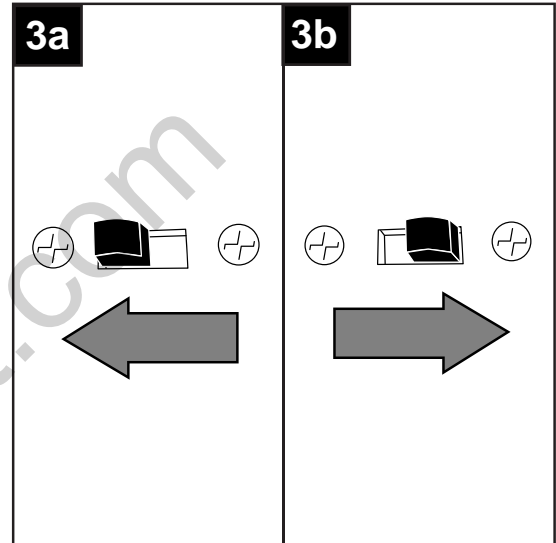
⚠ WARNING: Do NOT remove weatherproof cover on the reverse switch.



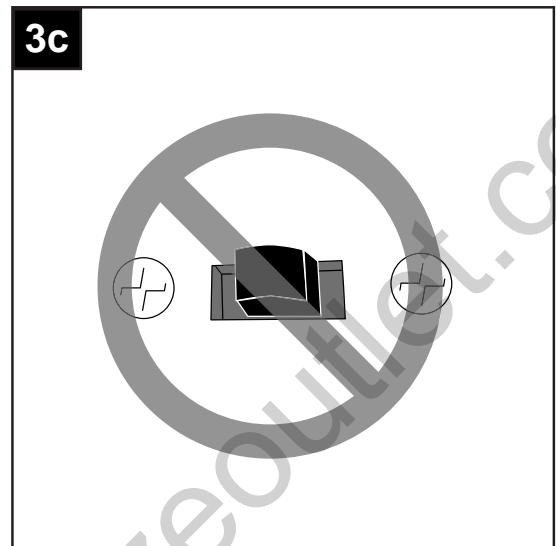
OPERATING INSTRUCTIONS

3a. In **warmer** weather, setting the reverse switch in the **LEFT** position will result in downward airflow creating a wind chill effect.

3b. In **cooler** weather, setting the reverse switch in the **RIGHT** position will result in upward airflow that can help move stagnant, hot air off the ceiling area.



3c. **IMPORTANT:** Reverse switch must be set either **completely** LEFT or **completely** RIGHT for fan to function. If the reverse switch is set in the middle position, fan will not operate.



CARE AND MAINTENANCE

At least twice each year, lower canopy (B) to check downrod (A) assembly, and then tighten all screws on fan. Clean motor housing (D) with only a soft brush or lint-free cloth to avoid scratching the finish. Clean blades (G) with a lint-free cloth. You may occasionally apply a light coat of furniture polish to wood blades for added protection.

IMPORTANT: Shut off main power supply before beginning any maintenance. Do not use water or a damp cloth to clean the ceiling fan.

Bulb Replacement: Use 60-watt max. candelabra-base CA10 incandescent bulbs only; CFLs are not recommended for this item.

TROUBLESHOOTING

⚠ WARNING: Before beginning work, shut off the power supply to avoid electrical shock.

PROBLEM	POSSIBLE CAUSE	CORRECTIVE ACTION
Fan does not move.	<ol style="list-style-type: none"> 1. Reverse switch not engaged. 2. Power is off or fuse is blown. 3. Faulty wire connection. 4. Plugs not connected properly. 	<ol style="list-style-type: none"> 1. Push switch firmly either left or right. 2. Turn power on or check fuse. 3. Turn power off. Loosen canopy and check all connections. 4. Check that male and female plugs in switch housing are connected properly according to instructions on page 14.
Noisy operation.	<ol style="list-style-type: none"> 1. Blades are loose. 2. Cracked blade. 3. Full range dimmer switch. 4. Fan is new. 	<ol style="list-style-type: none"> 1. Tighten all blade screws. 2. Replace blade. 3. Replace with an approved speed control device. 4. Allow fan a "break in" period of a few days, especially when running the fan at Medium and High speeds.
Excessive wobbling.	<ol style="list-style-type: none"> 1. Blades are loose. 2. Blade arms incorrectly attached. 3. Unbalanced blades. 4. Fan not securely mounted. 5. Fan too close to vaulted ceiling. 6. Set screw(s) on motor housing yoke is (are) not tightened properly. 7. Set screw on hanging ball is not tightened properly. 	<ol style="list-style-type: none"> 1. Tighten all blade screws. 2. Re-install blade arms. 3. Switch one blade with a blade from the opposite side. 4. Turn power off. Carefully loosen canopy and verify that mounting bracket is secure. 5. Use a longer downrod or move fan to another location. 6. Tighten yoke set screw(s) securely. 7. Carefully loosen and lower canopy and verify that set screw on hanging ball is tightened securely.
Fan operates but light fails (if applicable).	<ol style="list-style-type: none"> 1. Bulb(s) not installed correctly. 2. Wires in canopy not wired properly. 3. Wall switch to fan is off. 	<ol style="list-style-type: none"> 1. Re-install bulb(s). 2. Check wires in canopy and, if necessary, re-wire according to instructions on pages 11 and 12. 3. Make sure that wall switch to fan is on.

TROUBLESHOOTING

PROBLEM	POSSIBLE CAUSE	CORRECTIVE ACTION
	4. Wires in light kit fitter not wired correctly.	4. Check that mox connections in light kit fitter are connected properly according to instructions on page 14.
	5. Light kit is lamped with more than the allowable 190W, causing the wattage limiting device to interrupt the flow of electricity to the light kit.	5. Lamp light kit with bulbs that total no more than 190W.

NOTE: A small amount of "wobble" is normal and should not be considered a defect.

LIMITED LIFETIME WARRANTY

The distributor warrants this fan to be free from defects in workmanship and materials present at time of shipment from the factory for Lifetime limited from the date of purchase. This warranty applies only to the original purchaser. The distributor agrees to correct any defect at no charge or, at our option, replace the ceiling fan with a comparable or superior model.

To obtain warranty service, present a copy of your sales receipt as proof of purchase. All cost of removal and reinstallation are the express responsibility of the purchaser. Any damage to the ceiling fan by accident, misuse or improper installation, or by using parts not produced by the manufacturer of this fan or affixing accessories not produced by the manufacturer of this fan, are the purchaser's own responsibility. The distributor assumes no responsibility whatsoever for fan installation during the limited lifetime warranty. Any service performed by an unauthorized person will render the warranty invalid.

Due to varying climatic conditions, this warranty does not cover changes in brass finish, rusting, pitting, tarnishing, corroding or peeling. Brass finish fans maintain their beauty when protected from varying weather conditions. Any glass provided with this fan is not covered by the warranty.

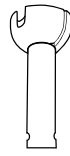
Any replacement of defective parts for the ceiling fan must be reported within the first year from the date of purchase. For the balance of the warranty, call our customer service department (at **1-800-643-0067**) for return authorization and shipping instructions so that we may repair or replace the ceiling fan. Any fan or parts returned improperly packaged is/are the sole responsibility of the purchaser. There is no further express warranty. The distributor disclaims any and all implied warranties. The duration of any implied warranty which cannot be disclaimed is limited to the limited lifetime period as specified in our warranty. The distributor shall not be liable for incidental, consequential or special damages arising at or in connection with product use or performance except as may otherwise be accorded by law. This warranty gives you specific legal rights and you may also have other rights which vary from state to state. This warranty supersedes all prior warranties.



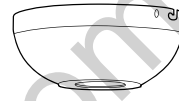
REPLACEMENT PARTS LIST

For replacement parts, call our customer service department at **1-800-643-0067**, 8 a.m. - 6 p.m., EST, Monday - Thursday, 8 a.m. - 5 p.m., EST, Friday.

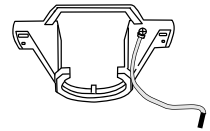
PART	DESCRIPTION	PART#
A	Downrod	0648635-A
B	Canopy	0648635-B
C	Mounting Bracket	0648635-C
F	Light Kit Fitter	0648635-F
G	Blade	0648635-G
H	Blade Arm	0648635-H
S	Switch Housing	0648635-S



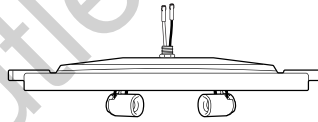
A



B



C



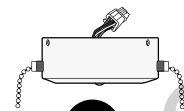
F



G



H



S

Printed in China

Harbor Breeze® is a registered trademark of LF, LLC. All Rights Reserved.



Lowes.com/harborbreeze